



No.:

Date: 19-DEC-2012

Customer :

TECHNICAL PROPOSAL

Three-phase induction motor - Squirrel cage rotor

Product line : Three-Phase : ODP (IP21/IP23) - NEMA Premium Efficiency

Catalog Number : 06036OT3E326TS

List Price : \$4,581

Notes:

Performed by:

Checked:



No.:

Date: 19-DEC-2012

DATA SHEET

Three-phase induction motor - Squirrel cage rotor

Customer :
Product line : Three-Phase : ODP (IP21/IP23) - NEMA Premium Efficiency

Frame : 326TS
Output : 60 HP
Frequency : 60 Hz
Poles : 2
Full load speed : 3555
Slip : 1.25 %
Voltage : 208-230/460 V
Rated current : 157-142/71.0 A
Locked rotor current : 880/440 A
Locked rotor current (I_L/I_n) : 6.2
No-load current : 36.0/18.0 A
Full load torque : 87.4 lb.ft
Locked rotor torque : 200 %
Breakdown torque : 260 %
Design : B
Insulation class : F
Temperature rise : 80 K
Locked rotor time : 24 s (hot)
Service factor : 1.15
Duty cycle : S1
Ambient temperature : -20°C - +40°C
Altitude : 1000
Degree of Protection : IP23
Approximate weight : 526 lb
Moment of inertia : 4.3635 sq.ft.lb
Noise level : 75 dB(A)

	D.E.	N.D.E.	Load	Power factor	Efficiency (%)
Bearings	6312 Z-C3	6212 Z-C3	100%	0.85	93.6
Regreasing interval	19658 h	20000 h	75%	0.84	93.6
Grease amount	21 g	13 g	50%	0.77	93.0

Notes:

Performed by

Checked

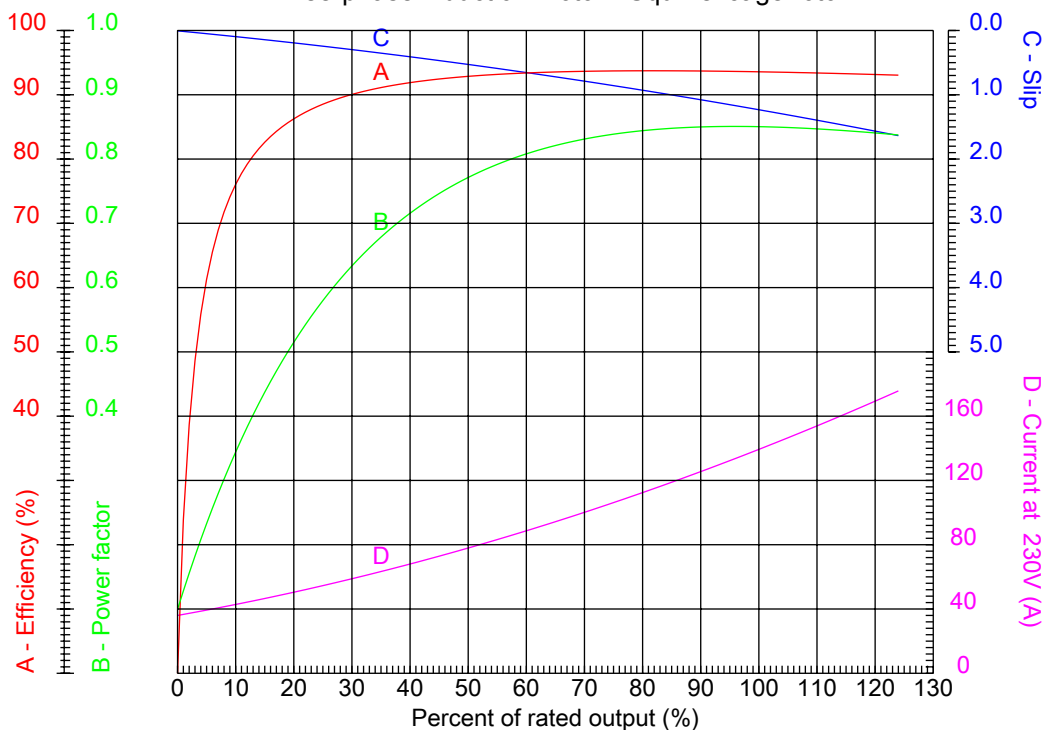


No.:

Date: 19-DEC-2012

PERFORMANCE CURVES RELATED TO RATED OUTPUT

Three-phase induction motor - Squirrel cage rotor



Customer :
 Product line : Three-Phase : ODP (IP21/IP23) - NEMA Premium Efficiency

Frame	: 326TS	Locked rotor current (I _l /I _n)	: 6.2
Output	: 60 HP	Duty cycle	: S1
Frequency	: 60 Hz	Service factor	: 1.15
Full load speed	: 3555	Design	: B
Voltage	: 208-230/460 V	Locked rotor torque	: 200 %
Rated current	: 157-142/71.0 A	Breakdown torque	: 260 %
Insulation class	: F		

Notes:

Performed by

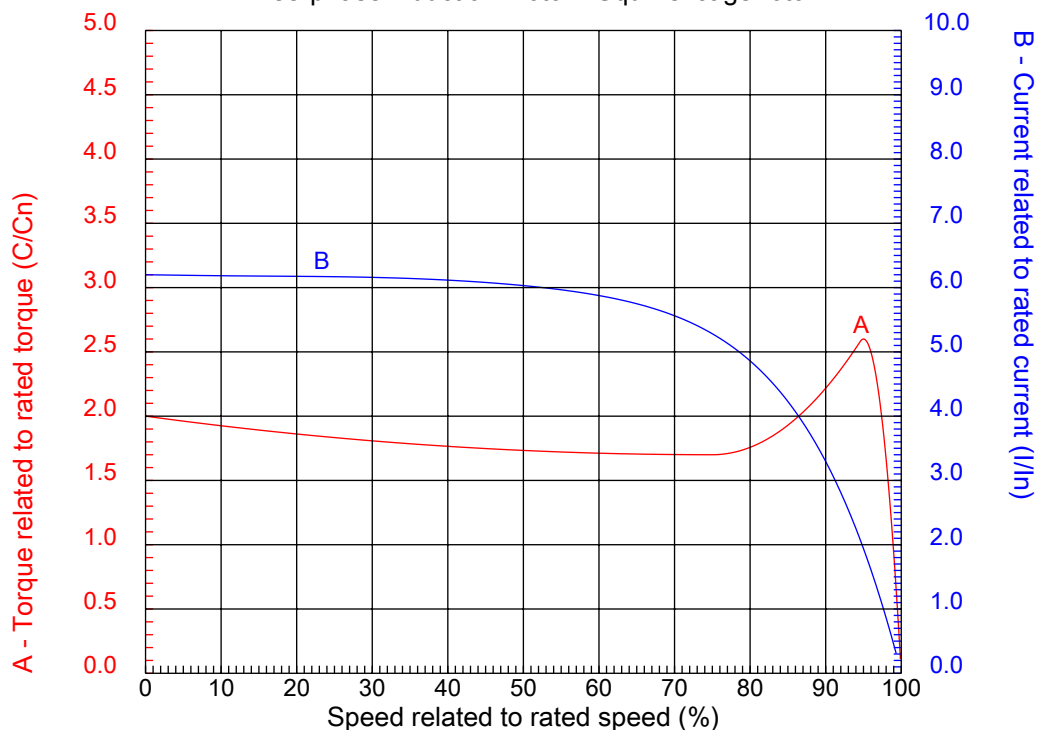
Checked



No.:

Date: 19-DEC-2012

CHARACTERISTIC CURVES RELATED TO SPEED Three-phase induction motor - Squirrel cage rotor



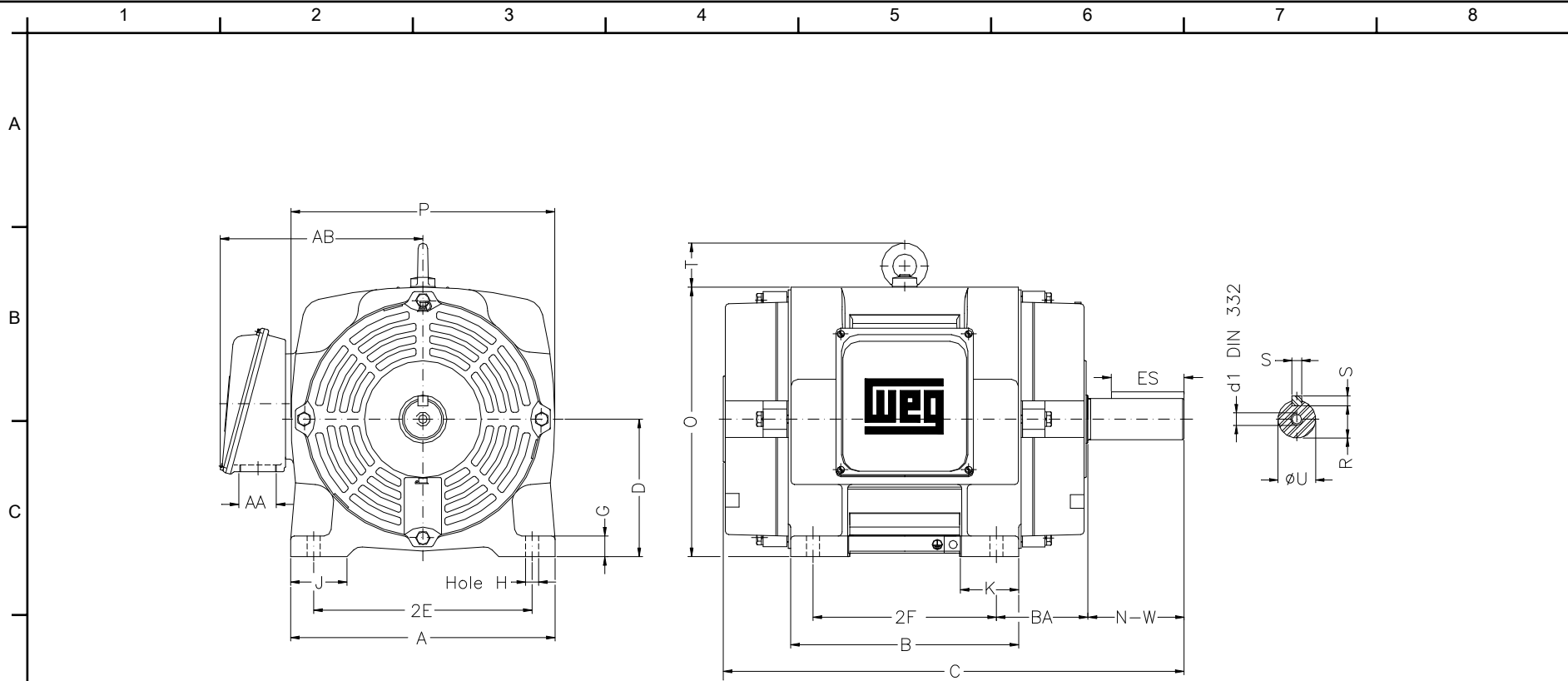
Customer :
Product line : Three-Phase : ODP (IP21/IP23) - NEMA Premium Efficiency

Frame	: 326TS	Locked rotor current (I _l /I _n)	: 6.2
Output	: 60 HP	Duty cycle	: S1
Frequency	: 60 Hz	Service factor	: 1.15
Full load speed	: 3555	Design	: B
Voltage	: 208-230/460 V	Locked rotor torque	: 200 %
Rated current	: 157-142/71.0 A	Breakdown torque	: 260 %
Insulation class	: F		

Notes:

Performed by

Checked



Notes:

2E 12.500	A 15.160	2F 12.000	B 14.566	BA 5.250
J 3.230	K 3.350	P 15.118	ES 2.756	depth 0.500
S 0.500	D 8.000	N-W 3.750	G 1.299	U 1.875
O 15.551	T 2.559	HD 18.110	R 1.594	H 0.656
AB 11.496	C 26.181	AA NPT 2"	d1 A 4	d2 A 4
Flange FD-406	AJ 16.000	AK 14.000	BD 18.000	BF 0.828
BB 0.250				

Performed by:

Checked:

Customer:

Three-Phase : ODP (IP21/IP23) - NEMA Premium Efficiency

Three-phase induction motor
Frame 326TS - IP23

19-DEC-2012

