



www.globalindustrial.com

US: 888-628-3466

Canada: 888-645-2986

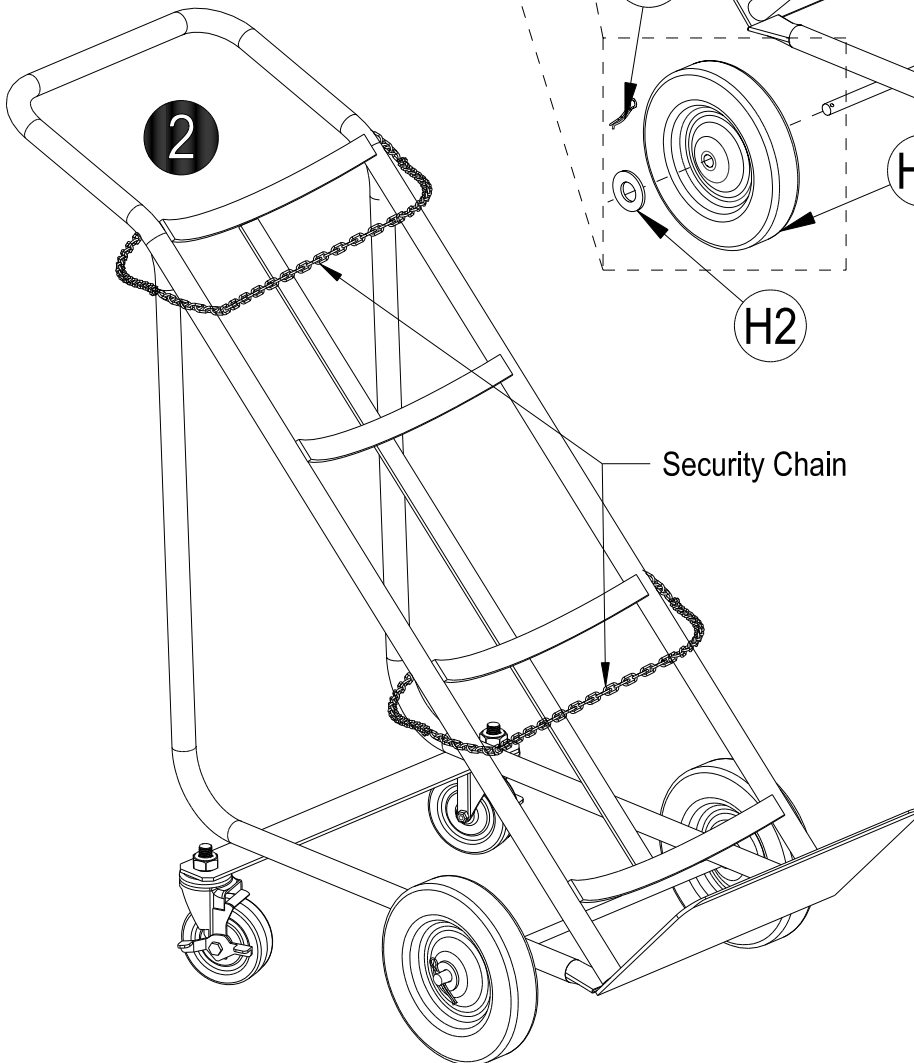
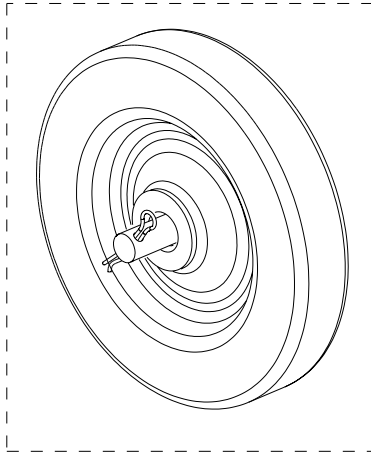
Mexico: 01.800.681.6940

TILT BACK CYLINDER TRUCK

Assembly Instruction

Model 988992

CONTENTS		
REF.	QTY.	DESCRIPTION
1	1	FRAME
H1	2	8" Hard Rubber Wheel
H2	2	.5" Id. x 1" Od. Plain Washer
H3	2	Cotter Pin
H4	2	M12 x 1.75 Nylon Lock Nut
H5	2	.625" Id. x 1.125 Od. Plain Washer
H6	2	3" Swivel Locking Caster



1

H3

2

H1

H2

1

H4

H5

Security Chain

4"

H6