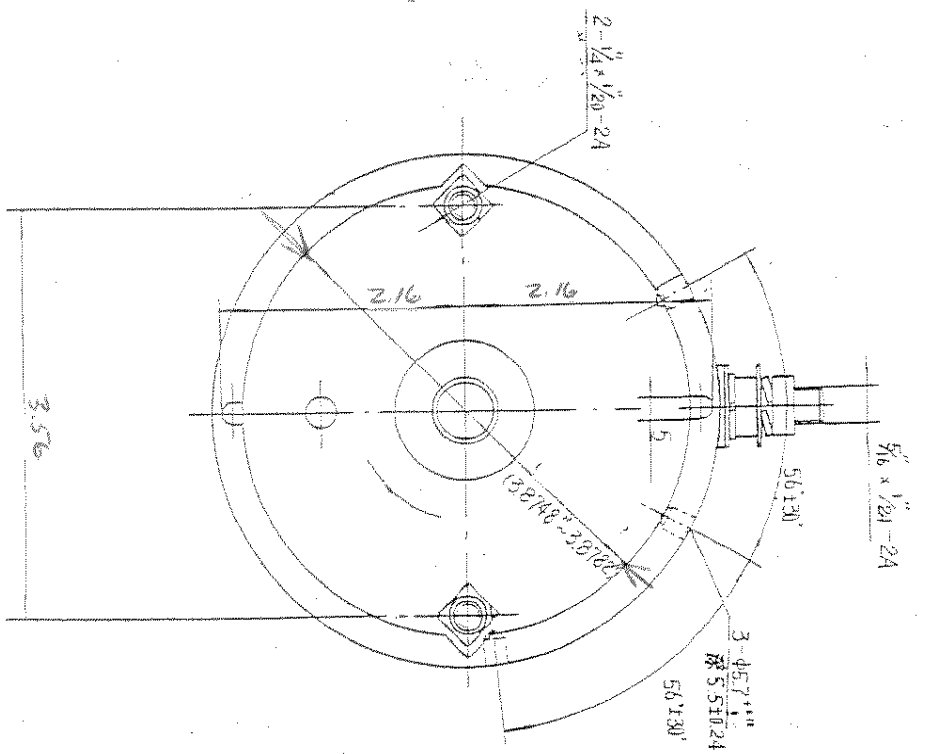


M3400



- COUNTERWEIGHT
 - 200 AMPS
 - 2550 RPM
 - 45 TORQUE
 - 1.6 HP