



Series: PFS411 & 421

Submersible Sewage Pumps 2" Discharge, 2" Spherical Solids, 4/10HP



DISCHARGE	2" NPT, Female, Vertical
LIQUID TEMPERATURE	77°F (25°C) Continuous 115 volts 104°F (40°C) Continuous 230 volts
VOLUTE	Cast Iron, Class 30
MOTOR HOUSING	Cast Iron, Class 30
IMPELLER	2 Vane, open with pump out vanes on back side Material: Cast Iron, Class 30
SHAFT	Stainless Steel
SEAL PLATE	Cast Iron, Class 30
SQUARE RINGS	Buna-N
HARDWARE	Stainless Steel
PAINT	Powder Coated - Industrial Grade
SEAL	Inboard Single Mechanical, Oil Filled, Material: Carbon/Ceramic/Buna-N Secondary Exclusion Seal
POWER CORD	20 Ft. Cord, Plug on 115 Volt, Pressure Grommet for Sealing and Strain Relief
MOTOR	Oil Filled, Squirrel Cage Induction Class B Insulation
SINGLE PHASE	Permanent Split Capacitor (PSC), Includes Overload Protection in Motor
UPPER BEARING	Single Row, Ball, Oil Lubricated
LOWER BEARING	Single Row, Ball, Oil Lubricated
LEVEL CONTROL	<p>"A" Wide Angle, Mechanical Float, 20Ft. Cord with Piggy-Back Plug, Normally Open (N/O).</p> <p>"VF" Vertical Float, 20Ft. Cord with Piggy-Back Plug. Off Point ONLY is Adjustable.</p>

**Series: PFS411-20,
PFS411A-20, PFS411VF-20,
PFS421-20**

**4/10 HP • 1750 RPM • 60 Hz
Submersible Sewage Pump**

Description

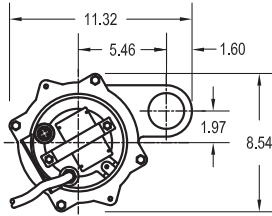
Submersible non-clog sewage pumps are designed for typical raw sewage application.



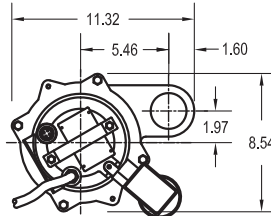
Series: PFS411 & 421



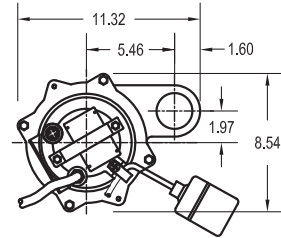
Submersible Sewage Pumps
2" Discharge, 2" Spherical Solids, 4/10HP



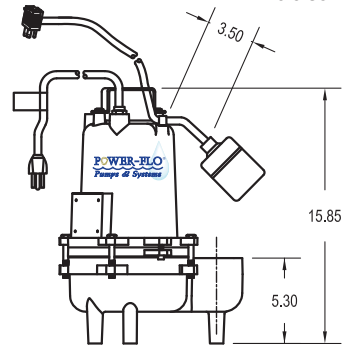
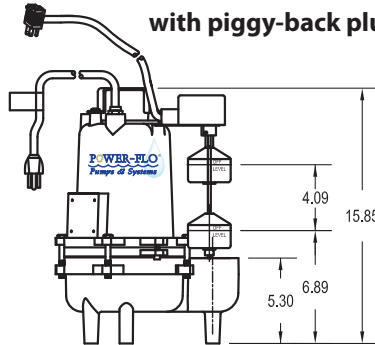
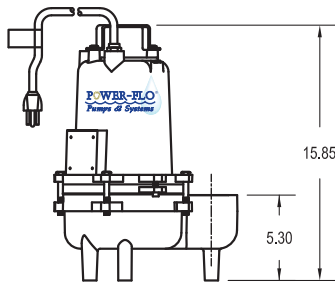
PFS411 & PFS421
without float



PFS411VF
vertical level control
with piggy-back plug



PFS411A with
automatic float



MODEL	HP	Hz	Volts/Ph	RPM	Full Load Amps	Locked Rotor Amps	NEMA Start Code	Cord Type	Cord Size	Cord O.D.	Simplex Panel	Duplex Panel
PFS411-20	4/10	60	115/1	1750	12.0	23.6	N	SJTW	16/3	0.335	PF1000	PF2000
PFS411A-20	4/10	60	115/1	1750	12.0	23.6	N	SJTW	16/3	0.335	n/a	n/a
PFS411VF-20	4/10	60	115/1	1750	12.0	23.6	N	SJTW	16/3	0.335	n/a	n/a
PFS421-20	4/10	60	230/1	1750	6.2	12.5	C	SJTW	16/3	0.335	PF1003	PF2003

-20 = 20 Ft Cord; -30 = 30 Ft Cord; -50 = 50 Ft Cord

Remove Plug for use with Control Panel

