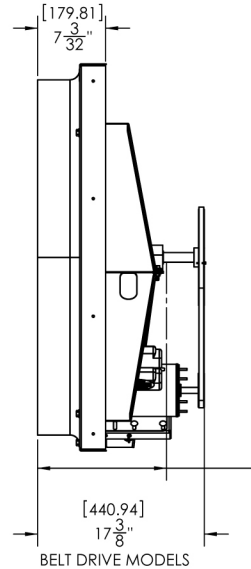
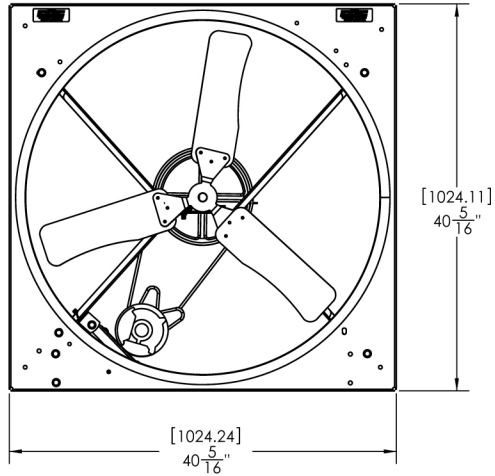
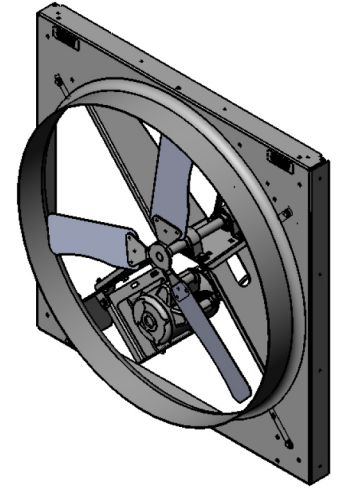


VP36 SERIES FAN DIFFERENCES			
MODEL	BLADE	MOTOR	PULLEY
VP36	VRB36G4	VR12E	VRP344
VP361	VRB36G5	VR1E	VRP345
VP363	VRB36G6	VR12E3	VRP128
VP3631	VRB36G7	VR013G	VR9130
VP363D	VRB36D3	VR12CF	**
VP36D	VRB36D3	VR12A	**

MODEL SHOWN

DIRECT DRIVE FANS HAVE DIFFERENT BODY STYLE-SEE SALES FOR PART #'S



[341.04]
13 ⁷/₁₆"
DIRECT DRIVE MODELS

NOTES:

- 1.)
- 2.)
- 3.)

REV.	BY	DATE	DESCRIPTION	CHECKED	DRAFTER	QC	ENG. MGR.	IMPLIED TOLERANCE (UNLESS OTHERWISE NOTED)																
								<table border="1"> <tr> <td><input checked="" type="checkbox"/></td> <td>ENGLISH</td> <td>METRIC</td> <td></td> </tr> <tr> <td>X.X</td> <td>±.040</td> <td>±.1</td> <td></td> </tr> <tr> <td>X.XX</td> <td>±.020</td> <td>±.5</td> <td></td> </tr> <tr> <td>X.XXX</td> <td>±.010</td> <td>±.3</td> <td></td> </tr> </table>	<input checked="" type="checkbox"/>	ENGLISH	METRIC		X.X	±.040	±.1		X.XX	±.020	±.5		X.XXX	±.010	±.3	
<input checked="" type="checkbox"/>	ENGLISH	METRIC																						
X.X	±.040	±.1																						
X.XX	±.020	±.5																						
X.XXX	±.010	±.3																						
TITLE: Panel Fan, 36" Galv BD 115/230V 1/2HP 1PH 4 Galv Blade								TEMP. DATE REV. (SHEET) 1/8/09																
				SHEET	DRAWING NUMBER																			
				1 OF 2	VP36																			
				MATERIAL:																				