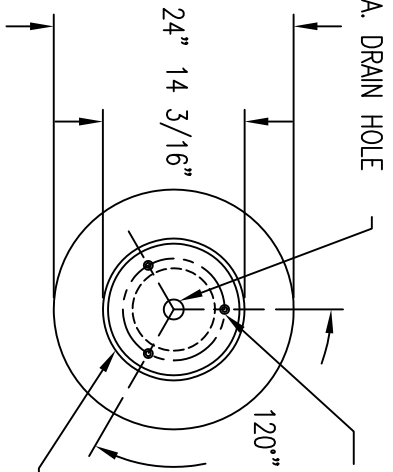
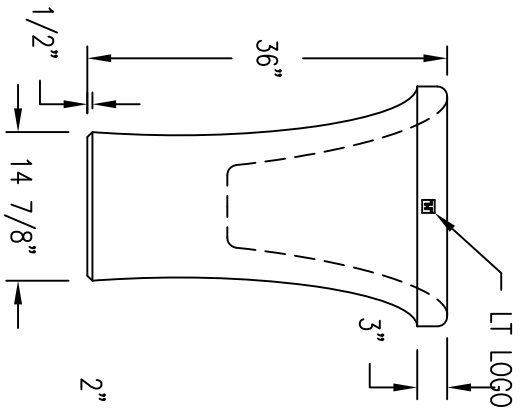


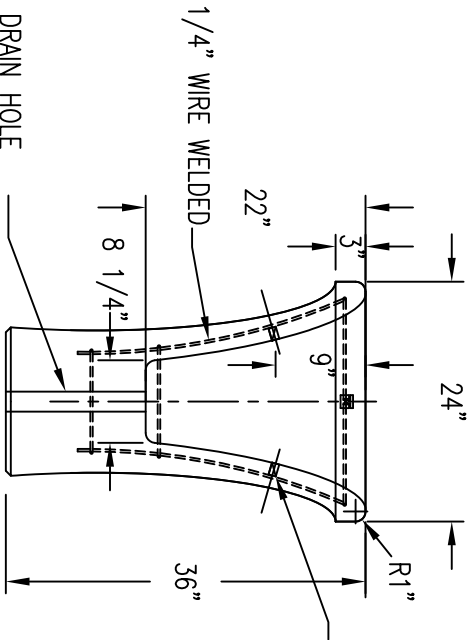
TOP VIEW PLANTER



BOTTOM VIEW PLANTER



ELEVATION VIEW PLANTER



SECTION VIEW PLANTER

2" DIA. DRAIN HOLE

(3) 1/2" UNC S/S INSERTS TO HOLD RE-BAR

1/2" CHAMFER EDGE

(2) 5/8" UNC S/S INSERTS FOR LIFTING

CONFIDENTIAL INFORMATION
 These drawings, specifications and the other information and documents accompanying them are the confidential and proprietary property of Wausau The Inc. The drawings themselves shall be used only on the project for which they are prepared. No part of these drawings, specifications or other proprietary information contained within the drawings and the documents is and shall remain the sole property of Wausau The Inc.

APPROX. WT. XXXX#

SL4091-F2

REVISIONS

NO.	DATE	BY
1		
2		
3		
4		



P.O. BOX 1520 WAUSAU, WI 54401 715/359-3121

SITE-FURNISHINGS

JDB SL-4091-F2

LOCATION WAUSAU, WI.

DRAWN BY R.H.

DATE 7/28/03

SCALE NTS

JDB NDL

DRWG. 1 OF 1

DRWG NDL. 003-7-193