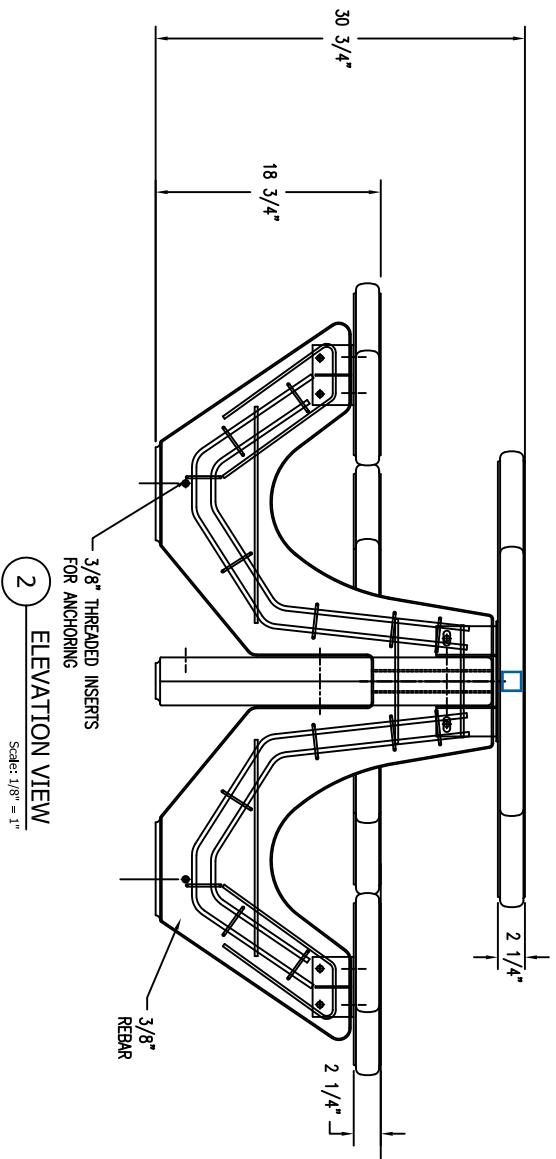
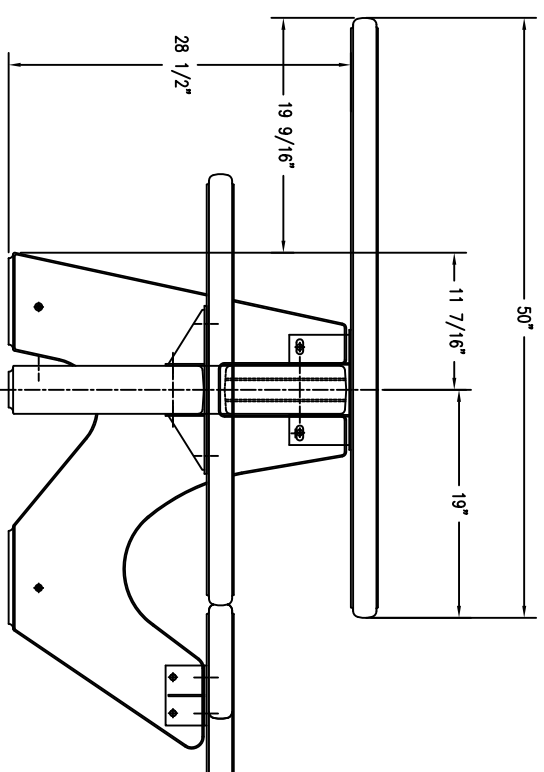


1 TOP VIEW  
Scale: 1/8" = 1"



2 ELEVATION VIEW  
Scale: 1/8" = 1"



3 ELEVATION VIEW  
Scale: 1/8" = 1"

REVISIONS						DRAWN BY		JOB		MATERIAL	
NO.	DATE	BY	NO.	DATE	BY	JOB NO.	AKG	LOCATION	WEIGHT	CONCRETE	DATE
1			4			SCALE	AS NOTED	UNLESS OTHERWISE SPECIFIED DIMENSIONS ARE IN INCHES TOLERANCES ± 1/8"			5/10/13
2			5			FINISH					ITEM NO. TF312812
3			6			OPTIONS					DWG. NO. 1 OF 1

**WAUSAU TILE SITE FURNISHINGS**

P.O. BOX 1520 WAUSAU, WISCONSIN 54485-1520 800/298-8728  
E-MAIL: TITELUMS@WAUSAUTILE.COM  
WEB SITE: WWW.WAUSAUTILE.COM