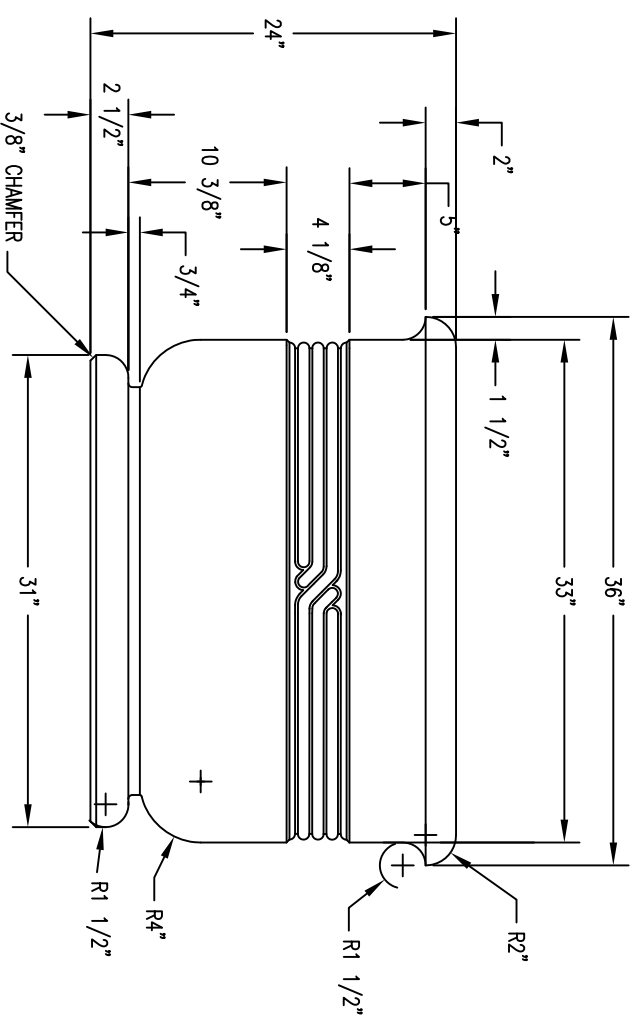
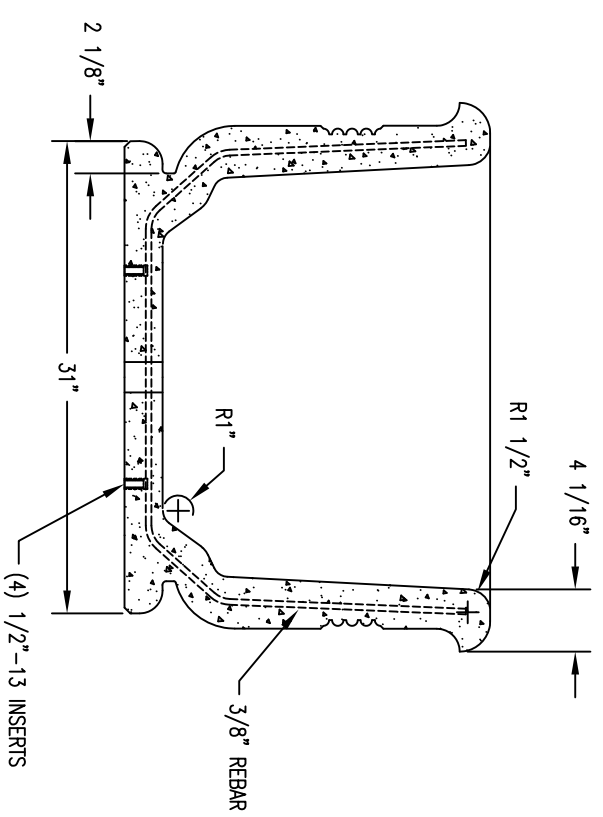


1 TOP VIEW



2 FRONT VIEW



3 SECTION VIEW

		P.O. BOX 1520 WISCONSIN, WISCONSIN 54402-1520 800/388-8728 FAX: 715/426-1520 WEB SITE: WWW.WAUSAUTILE.COM	
DRAWN BY JPZ	JOB NO. JOB	MATERIAL CONCRETE	WEIGHT 675 LBS
TITLE FULL	DATE 2/19/14	FINISH OPTIONS	DWG. NO. TF4026
SCALE FULL	UNLESS OTHERWISE SPECIFIED DIMENSIONS ARE IN INCHES FRACTIONS ± 1/8		
REV 1	DESCRIPTION	NAME	DATE