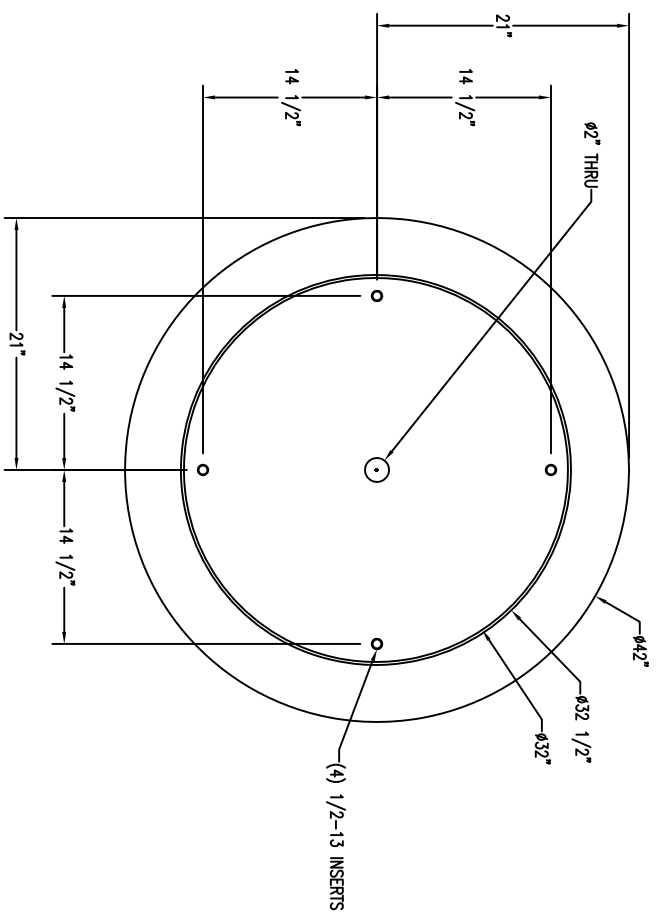
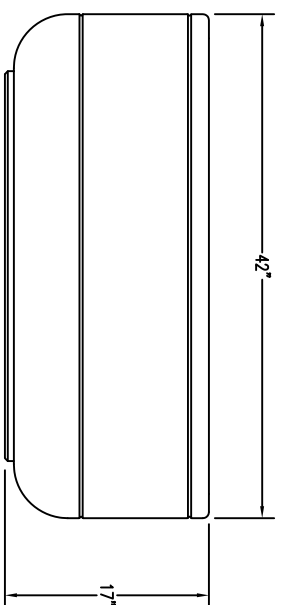


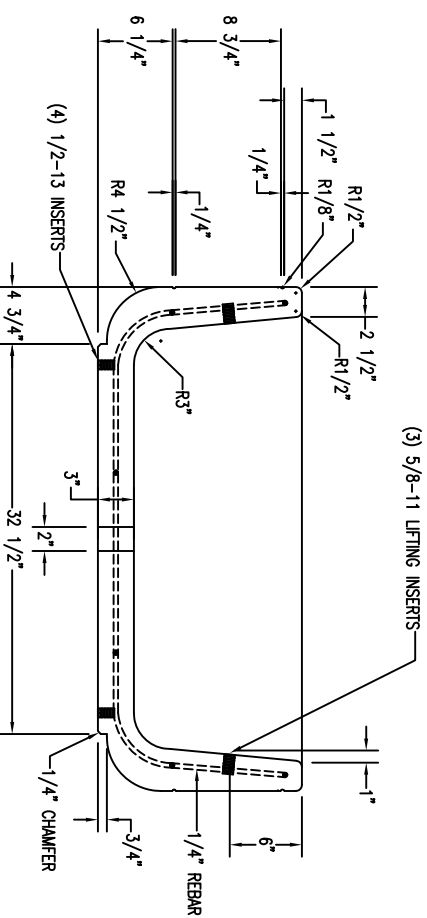
1 PLAN VIEW OF PLANTER  
Scale: 1 1/2" = 1'-0"



4 BOTTOM VIEW OF PLANTER  
Scale: 1 1/2" = 1'-0"



2 ELEVATION VIEW OF PLANTER  
Scale: 1 1/2" = 1'-0"



3 SECTION VIEW OF PLANTER  
Scale: 1 1/2" = 1'-0"

**WAUSAU TILE SITE FURNISHINGS**

P.O. BOX 1520 WAUSAU, WISCONSIN 54982-0520 800/298-0728  
P.O. BOX 807 WAUSAU, OREGON 97142-0807

REVISIONS						DRAWN BY		JOB		MATERIAL	
NO.	DATE	BY	NO.	DATE	BY	TITLE	NO.	NO.	WEIGHT	CONCRETE	
1			4			SCALE					
2			5								
3			6								

NO.	DATE	BY	NO.	DATE	BY	TITLE	NO.	NO.	WEIGHT	CONCRETE
1			4			SCALE				
2			5							
3			6							

UNLESS OTHERWISE SPECIFIED  
DIMENSIONS ARE IN INCHES  
2 IN. 5/16 IN 3 IN. 1/4 IN

DATE: 11/14/07  
FINISH OPTIONS: IF4105  
DWG. NO. IF4105