

EFFECTIVE:
12-JUN-07

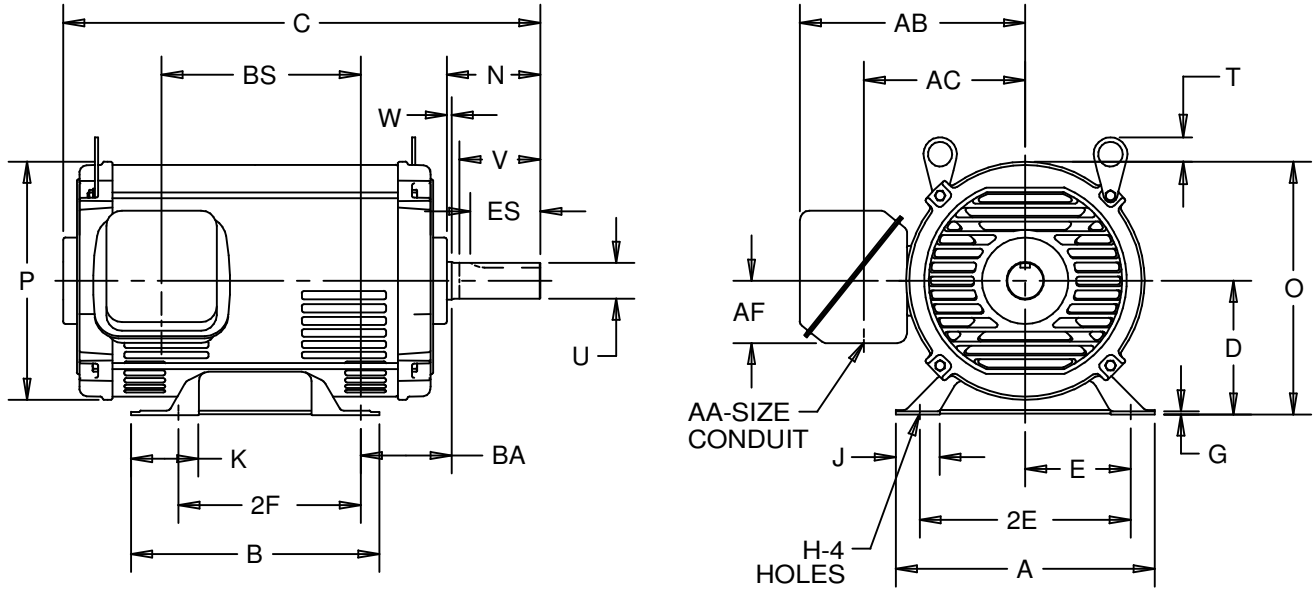
HORIZONTAL MOTORS

PRINT:
07-2204

SUPERSEDES:
09-DEC-04

OPEN DRIP PROOF
FRAME: 210T
TYPE: D, DE, DI, FD

SHEET:
1 OF 1



ALL DIMENSIONS ARE IN INCHES AND MILLIMETERS

UNITS	A	D -.06	E	2E ±.03	G	H +.05	J	K	N	O	P ²
IN	9.50	5.25	4.25	8.50	.19	.41	1.06	1.06	3.50	9.94	9.38
MM	241	133	108	216	5	10	27	27	89	252	238

UNITS	T	U -.0005	V MIN	W	AA	AB	AC	AF	BA	ES MIN	SQ KEY
IN	1.28	1.3750	3.25	.13	1.00	7.81	6.50	2.13	3.50	2.41	.313
MM	33	34.925	83	3		198	165	54	89	61	7.95

FRAME	UNITS	B	C	2F ±.03	BS F-1	BS F-2
213T	IN	6.50	16.00	5.50	6.66	-1.25
	MM	165	406	140	169	-32
215T	IN	8.00	17.50	7.00	8.16	-1.25
	MM	203	445	178	207	-32

1: ALL ROUGH DIMENSIONS MAY VARY BY .25" DUE TO CASTING AND/OR FABRICATION VARIATIONS.
2: LARGEST MOTOR WIDTH.
3: TOLERANCES ARE IN INCHES ONLY.

4: CONDUIT OPENINGS MAY BE LOCATED IN STEPS OF 90° REGARDLESS OF LOCATION. STANDARD AS SHOWN WITH CONDUIT OPENING DOWN.
5: FRAME REFERENCE: 10.53/213//12.03/215