

EFFECTIVE:  
06-APR-11

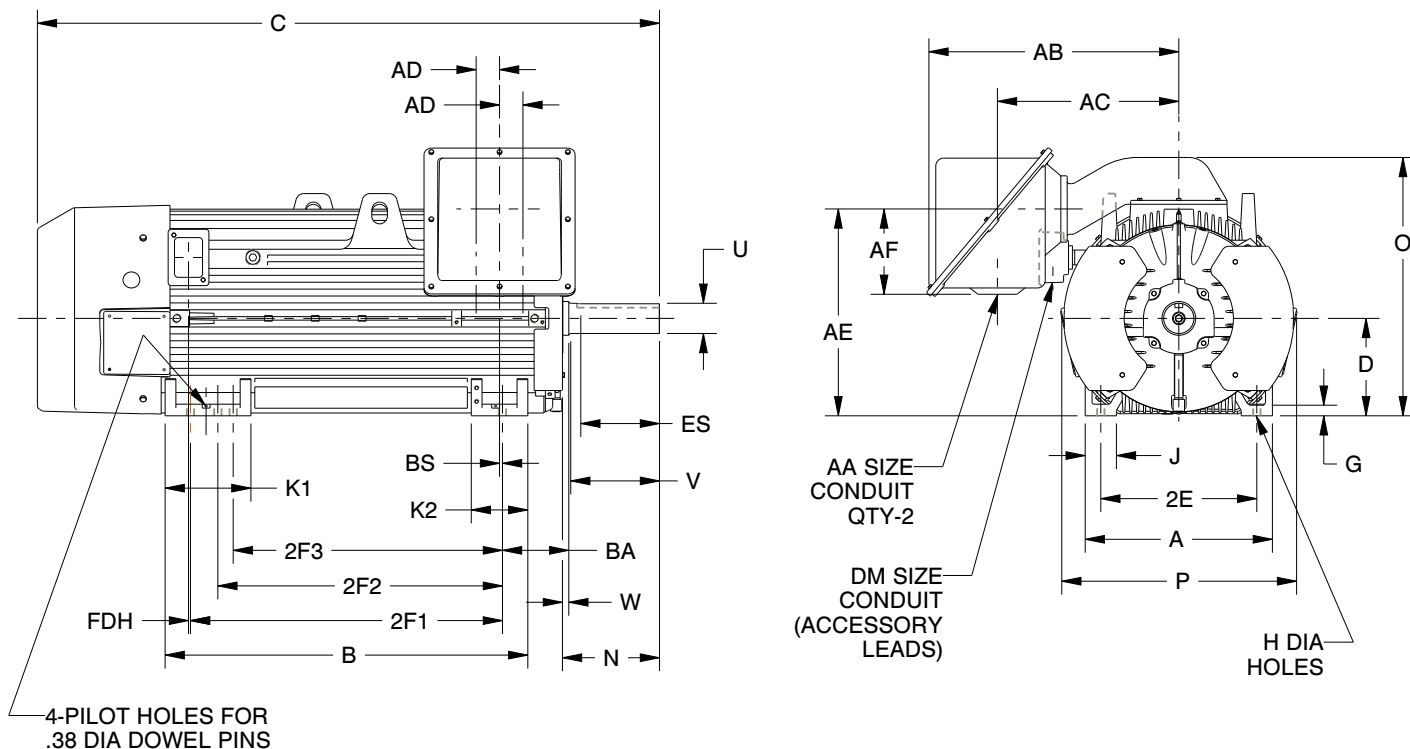
SUPERSEDES:  
20-APR-10

# HORIZONTAL MOTORS

TEFC  
FRAME: 5000S, ML  
BASIC TYPE: J

PRINT:  
07-2690-01

SHEET:  
1 OF 1



ALL DIMENSIONS ARE IN INCHES

|       |       |       |      |                      |      |       |      |       |                |
|-------|-------|-------|------|----------------------|------|-------|------|-------|----------------|
| A     | D     | 2E    | G    | H <sup>4</sup> + .05 | J    | K1    | K2   | O     | P <sup>2</sup> |
| 24.00 | 12.50 | 20.00 | 1.38 | .94                  | 4.00 | 11.00 | 7.25 | 33.13 | 30.13          |

|     |       |       |      |       |       |      |     |     |
|-----|-------|-------|------|-------|-------|------|-----|-----|
| W   | AB    | AC    | AD   | AE    | AF    | BA   | BS  | FDH |
| .63 | 32.06 | 23.25 | 3.00 | 26.50 | 10.94 | 8.50 | .38 | .25 |

|        |       |       |       |       |       |
|--------|-------|-------|-------|-------|-------|
| FRAME  | N     | U     | V     | ES    | SQ    |
|        |       | MIN   | MIN   | MIN   | KEY   |
| 5000S  | 6.38  | 2.875 | 5.50  | 4.00  | .750  |
| 5000ML | 12.25 | 3.875 | 11.38 | 10.00 | 1.000 |

|        |       |       |       |       |       |
|--------|-------|-------|-------|-------|-------|
| FRAME  | B     | C     | 2F1   | 2F2   | 2F3   |
|        |       |       | ± .03 | ± .03 | ± .03 |
| 5008S  | 31.50 | 58.88 | 25.00 | 22.00 | 20.00 |
| 5008ML | 31.50 | 64.75 | 25.00 | 22.00 | 20.00 |
| 5010S  | 38.50 | 65.88 | 32.00 | 28.00 | N/A   |
| 5010ML | 38.50 | 71.75 | 32.00 | 28.00 | N/A   |
| 5012S  | 46.50 | 73.88 | 40.00 | 36.00 | N/A   |
| 5012ML | 46.50 | 79.75 | 40.00 | 36.00 | N/A   |

|           |           |
|-----------|-----------|
| AA        | DM        |
| 3 NPT     | 3/4 NPT   |
| 3 1/2 NPT | 1 NPT     |
| 4 NPT     | 1 1/4 NPT |
|           | 1 1/2 NPT |

- DIMENSIONS MAY VARY .25" DUE TO CASTING AND/OR FABRICATION VARIATIONS.
- LARGEST MOTOR WIDTH.
- CONDUIT OPENING MAY BE ROTATED IN IN STEPS OF 90 DEGREES. STANDARD AS SHOWN WITH CONDUIT OPENING DOWN.
- QTY-8 HOLES ON 5008 FRAME AND QTY-6 HOLES ON ALL OTHERS.

07-2690/C

**Nidec Motor Corporation**  
St. Louis, Missouri

INFORMATION DISCLOSED ON THIS DOCUMENT IS CONSIDERED PROPRIETARY AND SHALL NOT BE REPRODUCED OR DISCLOSED WITHOUT WRITTEN CONSENT OF NIDEC MOTOR CORPORATION



ISSUED BY  
K. FRIEDMAN  
APPROVED BY  
K. POTTER

IHP\_DP\_NMCA (MAR-2011) PROENGINEER