

EFFECTIVE:  
01-MAR-11

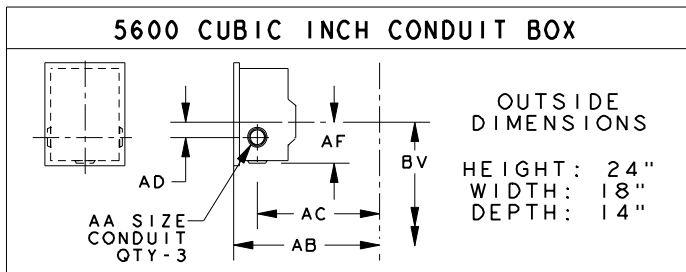
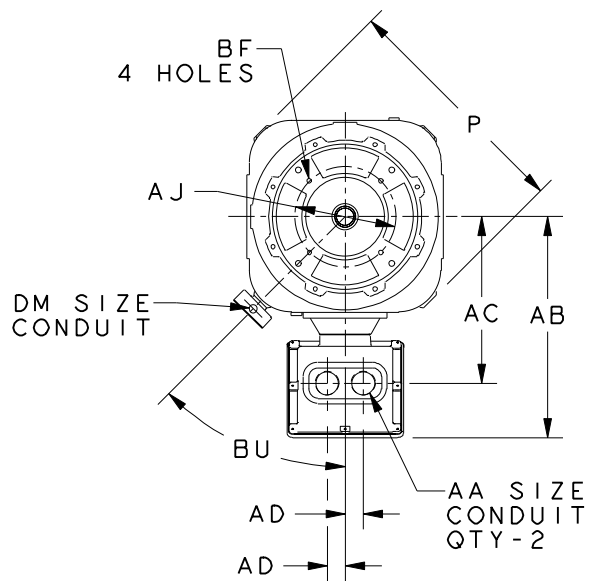
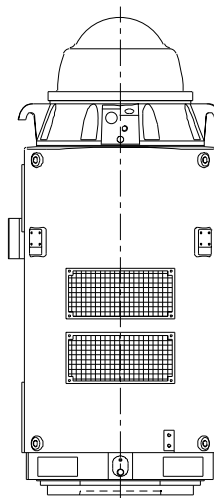
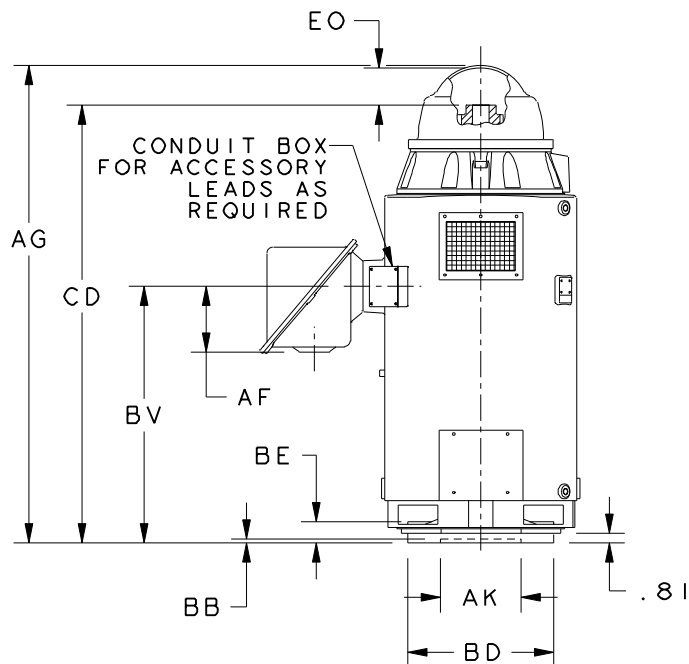
SUPERSEDES:  
22-FEB-11

# VERTICAL MOTORS

WEATHER PROTECTED TYPE I  
FRAME: 500PH, P, PA  
TYPE: RU

PRINT:  
09-2657

SHEET:  
1 OF 1



FRAME	P	AG	BV	CD	EO
5008	40.00	63.88	27.00	57.06	6.42
5012		78.88	42.00	72.30	

FRAME	AJ	AK +.005	BB MIN	BD MAX	BE	BF
5000PH	14.750	13.500	.25	20.00	2.19	.69
5000P <sup>3</sup>	14.750	13.500		24.50		.69
	22.000		30.50	.94		
5000PA	26.000	22.000				.81

AA	DM
2 NPT	1/2 NPT
2 1/2 NPT	3/4 NPT
3 NPT	1 NPT
3 1/2 NPT	1 1/4 NPT
4 NPT	1 1/2 NPT

VOLTS	C/BOX VOLUME (CU. IN.)	AB	AC	AD	AF	BU
0-4800	3400	36.50	27.88	3.00	10.94	45°
4801-6900	5600	36.13	30.13	4.00	10.81	

**TOLERANCES**

FACE RUNOUT	.007 T.I.R.
PERMISSIBLE ECCENTRICITY OF MOUNTING RABBET	.007 T.I.R.
MAXIMUM SHAFT END PLAY	.010

- 1: DIMENSIONS MAY VARY .25" DUE TO CASTING AND/OR FABRICATION VARIATIONS.
- 2: DIMENSIONS AND TOLERANCES ARE SHOWN IN INCHES.
- 3: 5000P HAS TWO BOLT CIRCLES.

09-2657/B

**Nidec Motor Corporation**  
St. Louis, Missouri

INFORMATION DISCLOSED ON THIS DOCUMENT IS CONSIDERED PROPRIETARY AND SHALL NOT BE REPRODUCED OR DISCLOSED WITHOUT WRITTEN CONSENT OF NIDEC MOTOR CORPORATION



ISSUED BY  
K. FRIEDMAN  
APPROVED BY  
N. SIFUENTES

IHP\_DP\_NMCA (MAR-2011) PROENGINEER