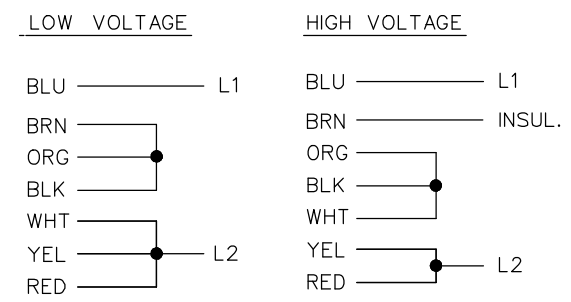


CONNECTIONS



NOTE:
 SECURE ALL LEADS AT 3:00 OCLOCK
 LOCATION TO PREVENT INTERFERENCE
 WITH MOVING PARTS.

ROTATION:
 CW SWITCH END REVERSIBLE
 TO REVERSE ROTATION, INTERCHANGE
 BLACK AND RED LEADS.

C 2P DUAL VOLT REV W/CAP & PROT

EMERSON CONFIDENTIAL

PAGE 1 OF 1	REVISION RECORD FOR: JOB CARD #56675		DO NOT SCALE DRAWING		DISTRIBUTION
	CREATED DWG FOR MODEL # C063-MK5039014J.		TOLERANCES UNLESS OTHERWISE SPECIFIED		
REVISION DATE	ISSUED BY	REVIEWED BY	TITLE	SCALE	
8-30-2002	S. SCHINZING	E. DE LA GARZA	DIAGRAM OF CONNECTIONS	NONE	

EMERSON Motor Technologies		
CODE	ITEM NO.	SIZE
D04	745167	B