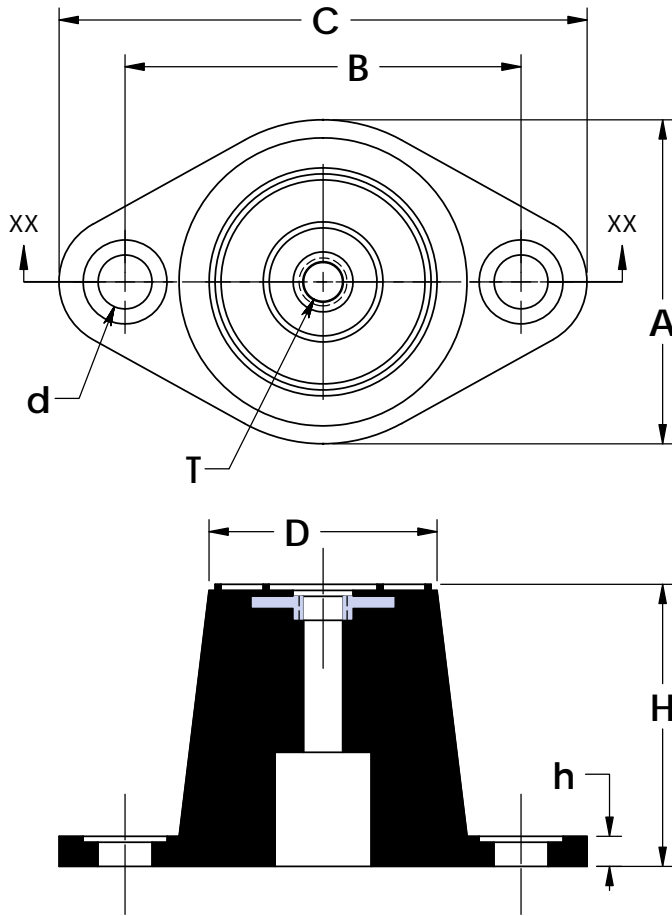


# Compression Mounts

# FMD series



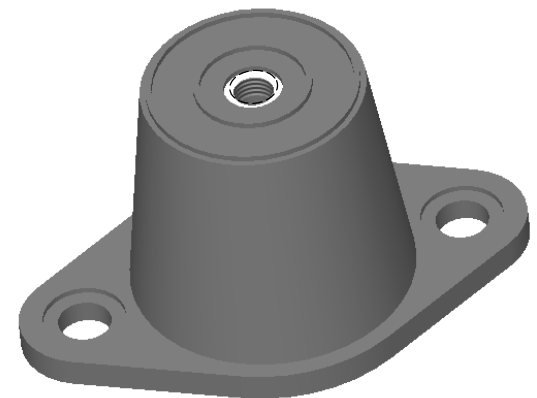
FMD series double deflection compression mounts have great elasticity in axial-radial direction and provide excellent isolation from vibration and noise.

This model is designed for compression loads and is not recommended where shear or tension load exists.

Maximum recommended shock loads should not exceed 50% of maximum vertical load.

**Recommended Use:** motors, fans, pumps, compressors, transformers, electrical lab-testing equipment and cabinet enclosures, as well as HVAC and other industrial appliances.

**Note:** FMD models 7,8 & 9 have a rectangular base of 5 1/2" x 3 3/8"



MODEL	MAX LOAD (LBS)	DEFLECTION (inches)	ISOLATOR DIMENSION (inches)							
			A	B	C	T	d	H	D	h
FMD-1	25	1/4	1 3/4	2 3/8	3 1/8	1/4-20	3/8	1	1 1/4	3/16
FMD-2	50	1/4	1 3/4	2 3/8	3 1/8	1/4-20	3/8	1	1 1/4	3/16
FMD-3	75	1/4	1 3/4	2 3/8	3 1/8	1/4-20	3/8	1	1 1/4	3/16
FMD-4	150	3/8	2 3/8	3 1/8	4	3/8-16	1/2	2	1 5/8	1/4
FMD-5	225	3/8	2 3/8	3 1/8	4	3/8-16	1/2	2	1 5/8	1/4
FMD-6	300	3/8	2 3/8	3 1/8	4	3/8-16	1/2	2	1 5/8	1/4
FMD-7	450	1/2	3 3/8	4 1/8	5 1/2	1/2-13	9/16	2 7/8	2 3/8	1/4
FMD-8	750	1/2	3 3/8	4 1/8	5 1/2	1/2-13	9/16	2 7/8	2 3/8	1/4
FMD-9	1200	1/2	3 3/8	4 1/8	5 1/2	1/2-13	9/16	2 7/8	2 3/8	1/4