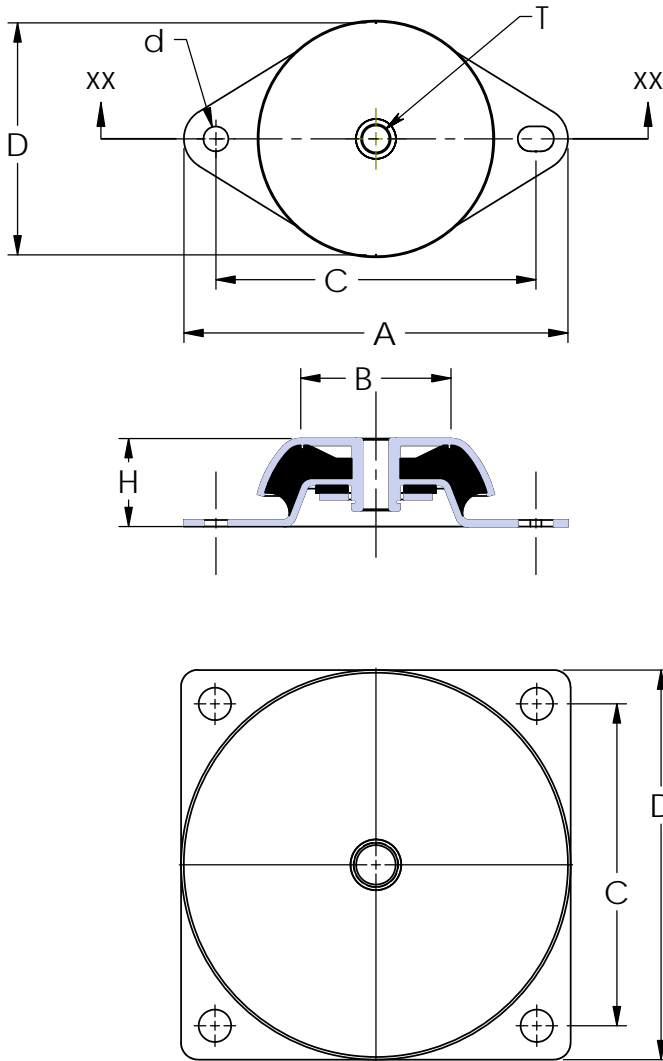


Compression Shear Mounts

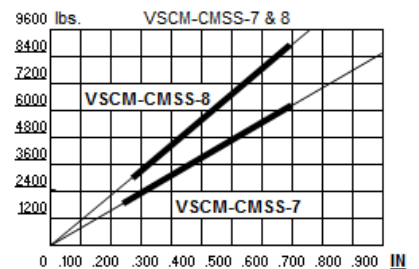
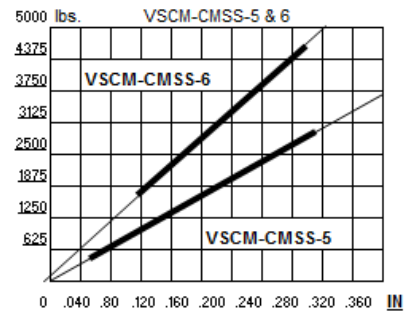
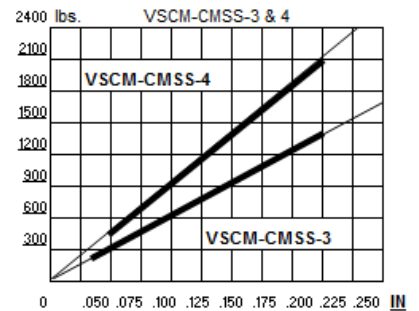
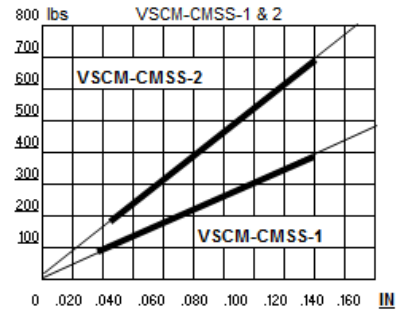
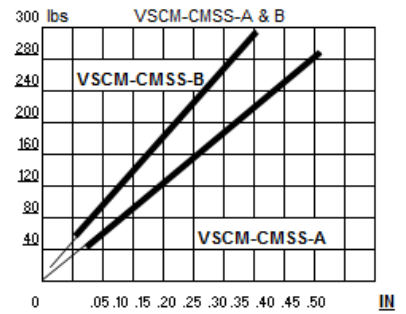
VSCM - CMSS series



NOTE:
MODELS VSCM - 6, 7 & 8 Have square base as shown above.

Recommended: shear loads should not exceed 25% of non-impact compression load.

LOAD VS DEFLECTION



Model		Max. Loads (lbs)		Mount Dimensions (in)						
Plated Steel	Stainless Steel	Non-Impact Equipment	Impact Equipment	A	B	C	D	H	d	T
VSCM-1	CMSS-1	400	250	6	2-3/4	5	3-5/8	1-3/8	.39	1/2-13
VSCM-2	CMSS-2	700	450							
VSCM-3	CMSS-3	1400	900	7-11/16	4	6-3/8	5-3/16	1-11/16	.55	5/8-11
VSCM-4	CMSS-4	2100	1500							
VSCM-5	-	3000	2000	8-9/16	5	7-1/4	6-1/8	2-1/8	.55	5/8-11
*VSCM-6	-	4500	3000	7-1/2	5-1/2	6-1/4	7-3/16	2-5/8	.55	3/4-10
*VSCM-7	-	6100	3700	8-5/8	6	7-1/8	8 5/8	4-1/8	.75	1-8
*VSCM-8	-	8800	5300							