

Assembly Procedure and Operating Instructions

ATTENTION: TO INSURE SAFE AND EASY USE OF YOUR WESCO DRUM DOLLY, READ THESE INSTRUCTIONS BEFORE USING.

Description

The Wesco Drum Dollies are designed to transport 30, 55 or 85 gallon drums.

This product is distributed by:

Wesco Industrial Products, Inc
1250 Welsh Road
North Wales, PA 19454
Tel: 215-699-7031 Fax: 215-699-3836

Contact the factory for parts information and ordering.
Visit us on the web at www.wescomfg.com

Warranty Repairs

If the unit does not work properly, contact your dealer or the factory (215-699-7031) for units less than 90 days old.

Non-Warranty Service

If units are older than 90 days, repairs can be made easily on site with factory supplied parts.

NOTE: Do not send units to the factory for service without first obtaining a "Return Merchandise Authorization" (RMA) number from the customer service department. We will not be responsible for merchandise returned without proper authorization.



Unpacking

When unpacking the Wesco Product, check carefully for shipping damage and missing parts. If damage has occurred or any parts are missing, file a claim with the delivering carrier within 24 hours and notify the dealer from whom the unit was purchased.

General Safety Information

Warning: The Wesco Drum Dollies are intended for specific functions. Please adhere to the following instructions to insure safe and proper use.

- (1) Maximum capacity – Labeled/Listed in Specifications
- (2) Do not exceed rated capacity. Injury to persons or property may result from overloading and misuse.

Warning

- DO NOT exceed the load rating printed on the label and always use caution when using the unit at or near capacity.
- DO NOT use your unit for loads exceeding the size of the dolly.
- Warranty is voided if custom alterations to the Drum Dolly are not made at the factory.
- DO NOT use unit on inclines.
- Make that sure all bolts are completely tightened.
- Periodically check for loose or worn hardware; If found replace at once.
- DO NOT operate a damaged unit until it is completely repaired

Specifications

Model #	Part #	Capacity (lb)	Capacity (kg)	Unit ID (in)	Unit ID (mm)	Drum Size (gal)	Drum Size (L)	Weight (lb)	Weight (kg)
D3-SI	240028	1,000	454	19	482	30 gal.	114	18	8.2
D3-HR	240029	900	408	19	482	30 gal.	114	18	8.2
D5-SI	240030	1,000	454	24	610	55 gal.	208	24.5	11.2
D5-HR	240031	900	408	24	610	55 gal.	208	22	10
D8-SI	240088	1,000	454	27	686	85 gal.	322	26	11.8
D8-HR	240089	900	408	27	686	85 gal.	322	26	11.8
SS3-HRZ	240192	900	408	19	482	30 gal.	114	20	9.1
SS3-HRSS	240193	900	408	19	482	30 gal.	114	20	9.1
SS3-PPSS	240194	1,000	454	19	482	30 gal.	114	18	8.2
SS5-HRZ	240195	900	408	24	610	55 gal.	208	22	10
SS5-HRSS	240196	900	408	24	610	55 gal.	208	22	10
SS5-PPSS	240197	1,000	454	24	610	55 gal.	208	21	9.6
SS8-HRZ	240198	900	408	27	686	85 gal.	322	24	10.9
SS8-HRSS	240199	900	408	27	686	85 gal.	322	24	10.9
SS8-PPSS	240200	1,000	454	27	686	85 gal.	322	23	10.5

[Assembly Instructions on Next Page]

Assembly Procedure and Operating Instructions

ATTENTION: TO INSURE SAFE AND EASY USE OF YOUR WESCO DRUM DOLLY, READ THESE INSTRUCTIONS BEFORE USING.

Replacement Caster Sets

Part No.	Description	Models Using Caster Set
055248	3" x 1-¼" Sintered Iron Wheel, Zinc Plated Steel Rig & Hardware	D3-SI, D5-SI, D8-SI
055249	3" x 1-¼" Hard Rubber Wheel, Zinc Plated Steel Rig & Hardware	SS3-HRZ, SS5-HRZ, SS8-HRZ, D3-HR, D5-HR, D8-HR
170776	3" x 1-¼" Hard Rubber Wheel, 304 Stainless Steel Rig & Hardware	SS3-HRSS, S5-HRSS, S8-HRSS
170777	3" x 1-¼" White Polypropylene, 304 Stainless Steel Rig & Hardware	SS3-PPSS, SS5-PPSS, SS8-PPSS

Replacement Hardware Sets

Part No.	Description	Models Using Caster Set
053428	Hardware: Bagged (16 Carriage Bolts & 16 Nuts)	SS3-HRZ, SS5-HRZ, SS8-HRZ, D3-SI, D3-HR, D5-SI, D5-HR, D8-SI, D8-HR

Assembly Instructions

- (1) Place the Dolly carefully on a bench with the rim side down.
- (2) Place the Caster on top of the Cross Brace (4) hole pattern.
- (3) Insert one supplied Carriage Bolt through the far side and attach the supplied Nut (As shown in Figure 1).
- (4) Repeat step 3 until all Casters are secured to the Dolly.

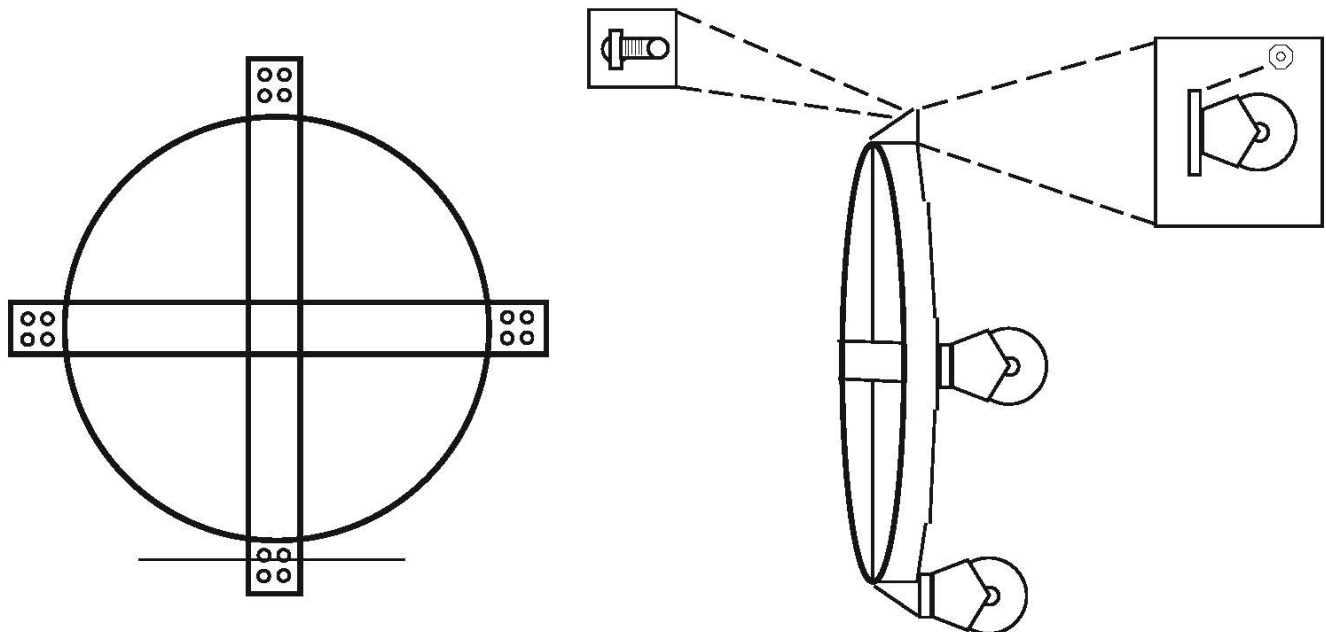


Figure 1

LIMITED WARRANTY

WESCO INDUSTRIAL PRODUCTS (WESCO) warrants to the purchaser of this product for a period of ninety (90) days from the date of purchase that this product shall be free of defects in material and/or workmanship, as follows:

1. WESCO will supply, at no charge, new or rebuilt replacements for any part that fails through a defect in material and/or workmanship during the warranty period. To obtain warranty service, you must deliver the product prepaid, to the WESCO factory.

2. This warranty does not cover any product or product part which has been subject to accident, misuse, abuse or negligence. WESCO shall only be liable under this warranty if the product is used the manner intended by the manufacturer as specified in the written instructions furnished with this product.

REPAIR OR REPLACEMENT AS PROVIDED UNDER THIS WARRANTY IS THE EXCLUSIVE REMEDY OF THE PURCHASER. ANY EXPRESS WARRANTY NOT PROVIDED IN THIS WARRANTY DOCUMENT, AND ANY REMEDY FOR BREACH OF CONTRACT THAT, BUT FOR THIS PROVISION, MIGHT ARISE BY IMPLICATION OR OPERATION OF LAW, IS HEREBY EXCLUDED AND DISCLAIMED. UNDER NO CIRCUMSTANCES SHALL WESCO BE LIABLE TO PURCHASER OR ANY OTHER PERSON FOR ANY INCIDENTAL OR CONSEQUENTIAL DAMAGES, WHETHER ARISING OUT OF BREACH OF WARRANTY, EXPRESS OR IMPLIED, A BREACH OF CONTRACT OR OTHERWISE. EXCEPT TO THE EXTENT PROHIBITED BY APPLICABLE LAW, ANY IMPLIED WARRANTY OF MERCHANTABILITY AND FITNESS FOR ANY PARTICULAR PURPOSE ARE EXPRESSLY LIMITED IN DURATION TO THE DURATION OF THIS LIMITED WARRANTY.

Some states do not allow the exclusion or limitation of incidental or consequential damages, or allow limitations on how long any implied warranty lasts, so the above limitations may not apply to you. This warranty gives you specific legal rights, and you may also have other rights which vary from state to state.