

Description

The Wesco Non-Sparking Drum Deheader is designed specifically to open 30 and 55 gallon steel drums. It features a sharp edged hardened non-ferrous alloy replaceable blade and a comfortable plastic hand grip.

This product is distributed by:

Wesco Industrial Products, Inc
1250 Welsh Road
North Wales, PA 19454
Tel: 215-699-7031 Fax: 215-699-3836

Contact the factory for parts information and ordering.
Visit us on the web at www.wescomfg.com

Unpacking

When unpacking the Wesco Product, check carefully for shipping damage and missing parts. If damage has occurred or any parts are missing, file a claim with the delivering carrier within 24 hours and notify the dealer from whom the unit was purchased.

Warranty Repairs

If the unit does not work properly, contact your dealer or the factory (215-699-7031) for units less than 90 days old.

Maintenance

- (1) Lubricate moving parts periodically.
- (2) Check bolts and nuts frequently for tightness.
- (3) Refer to steps 2 & 6 under General Safety Information

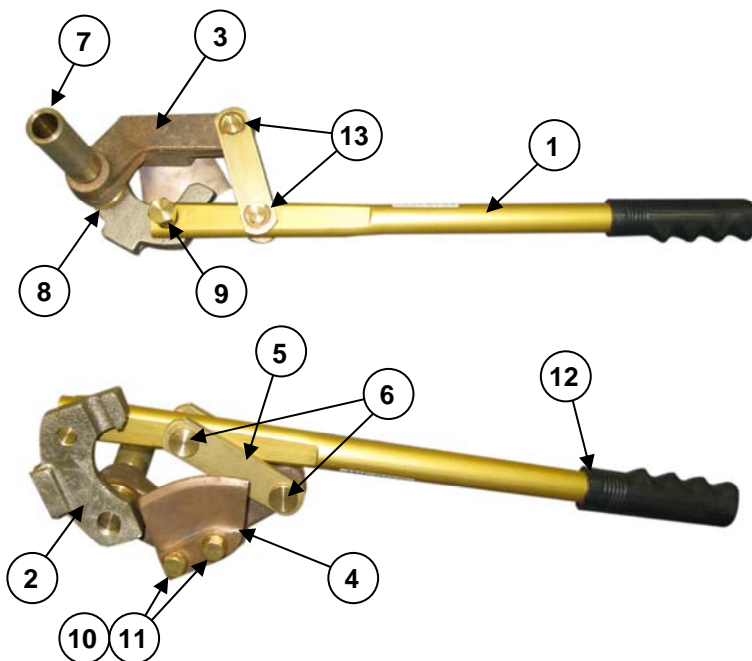


Figure 1

General Safety Information

Warning: The Wesco Drum Deheaders are designed for specific functions. To insure proper use, the following instructions must be adhered to:

- (1) The Drum Deheaders are designed for use with steel drums only. Do not use to open any type of fiber or plastic drums.
- (2) All threaded parts must be tight except for use the adjustment knobs. Check frequently to be sure that no parts are loose. If any parts are loose, remove the unit from service and repair.
- (3) Non-Sparking Deheader adjustment handle should be hand tight only.
- * (4) **The E-Clips (P/N 170513) and Cutting Blade (P/N 272302) for non-sparking Drum Deheader (P/N 272301) are made from Beryllium Copper Alloy. This material is considered hazardous by the OSHA Hazard Communications Standard (29 CFR 1910.1200).**



Never grind, sharpen, drill, or machine Beryllium copper parts. Any of these processes will generate Beryllium Copper dust that is harmful if inhaled. Do Not breathe this dust, it may cause cancer. Wash hand thoroughly after handling. Buy only original replacement E-Clips and blades from Wesco.

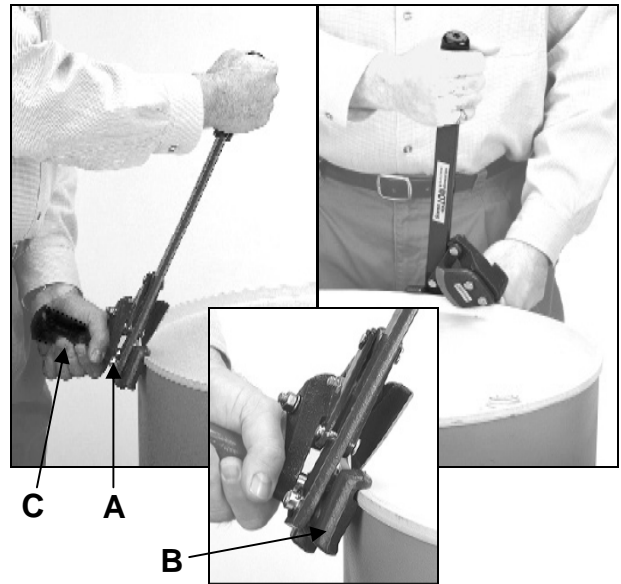
- ** (5) **Bronze and Brass components of this product contain lead or arsenic. The state of California under Proposition 65 has determined that exposure to these chemicals is known to cause cancer or birth defects or other reproductive harm. Please wash hands after use.**
- (6) After using the Drum Deheader to cut a drum's lid, use extreme care when lifting the cut lid from the drum. Avoid rubbing your fingers or hands along the inside of the chime where the cut was made.
- (7) Use only genuine Wesco replacement parts when servicing.

Replacement Parts

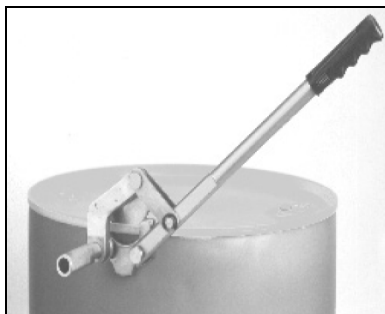
Item	Part No.	Description	Material	Qty
1	170501	Handle	Aluminum	1
** 2	170502	Rim Guide	Aluminum Bronze	1
** 3	170503	Body	Leaded Red Brass	1
* 4	272302	Cutting Blade	Beryllium Copper	1
** 5	170505	Link	Aluminum Bronze	2
** 6	170506	Link Pin	Aluminum Bronze	2
** 7	170507	Adjustment Handle	Manganese Bronze	1
** 8	170508	Adjustable Knob	Aluminum Bronze	1
** 9	170509	Shoulder Screw	Aluminum Bronze	1
** 10	170510	Lockwasher	Bronze	2
** 11	170511	Hex Head Screw	Bronze	2
12	170512	Handgrip	Vinyl Plastic	1
* 13	170513	E-Clip	Beryllium Copper	2

Operation

- (1) Turn back the adjustment ring (A) for P/N 272301 Drum Deheader. Adjustments will extend the Deheader to its fully open position for maximum blade clearance over the drum chime.
 - (2) Tilt the Deheader handle away from you and place the groove in the cutter base (B) on top of the drum chime (Figure 2).
 - (3) Place the blade over the chime, and tighten the ring to slowly bring the cutter base firmly in contact with the side of the drum, so the blade is in contact with the inside edge of the chime. Turn back the adjustment ring slightly, so the blade does not bind and wedge drum chime between blade and cutter base. Deheader should now be positioned similar to Figure 3.
 - (4) To begin cutting, press down on the handle (C) (Figure 4) until blade punctures drum head (Figure 5). Raise the handle, and slide Deheader as shown in Figure 5, to make next cut.
- Note:** Each time you overlap a cut, the edge will become smoother.
- (5) Repeat step four until desired cut is complete.



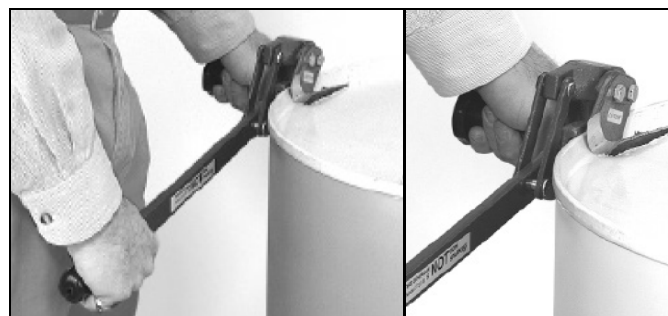
Steps 1 & 2 – Figure 2



Step 3 – Figure 3



Step 4 – Figure 4



Step 4 – Figure 5

LIMITED WARRANTY

WESCO INDUSTRIAL PRODUCTS (WESCO) warrants to the purchaser of this product for a period of ninety (90) days from the date of purchase that this product shall be free of defects in material and/or workmanship, as follows:

1. WESCO will supply, at no charge, new or rebuilt replacements for any part that fails through a defect in material and/or workmanship during the warranty period. To obtain warranty service, you must deliver the product prepaid, to the WESCO factory.

2. This warranty does not cover any product or product part which has been subject to accident, misuse, abuse or negligence. WESCO shall only be liable under this warranty if the product is used the manner intended by the manufacturer as specified in the written instructions furnished with this product.

REPAIR OR REPLACEMENT AS PROVIDED UNDER THIS WARRANTY IS THE EXCLUSIVE REMEDY OF THE PURCHASER. ANY EXPRESS WARRANTY NOT PROVIDED IN THIS WARRANTY DOCUMENT, AND ANY REMEDY FOR BREACH OF CONTRACT THAT, BUT FOR THIS PROVISION, MIGHT ARISE BY IMPLICATION OR OPERATION OF LAW, IS HEREBY EXCLUDED AND DISCLAIMED. UNDER NO CIRCUMSTANCES SHALL WESCO BE LIABLE TO PURCHASER OR ANY OTHER PERSON FOR ANY INCIDENTAL OR CONSEQUENTIAL DAMAGES, WHETHER ARISING OUT OF BREACH OF WARRANTY, EXPRESS OR IMPLIED, A BREACH OF CONTRACT OR OTHERWISE. EXCEPT TO THE EXTENT PROHIBITED BY APPLICABLE LAW, ANY IMPLIED WARRANTY OF MERCHANTABILITY AND FITNESS FOR ANY PARTICULAR PURPOSE ARE EXPRESSLY LIMITED IN DURATION TO THE DURATION OF THIS LIMITED WARRANTY.

Some states do not allow the exclusion or limitation of incidental or consequential damages, or allow limitations on how long any implied warranty lasts, so the above limitations may not apply to you. This warranty gives you specific legal rights, and you may also have other rights which vary from state to state.