

BLOWER KIT 2303

INSTALLATION / OPERATING INSTRUCTIONS

THIS KIT IS FOR USE WITH MODELS:
1403611; 1403612; 1403621 and 1403622

This accessory is operated using the factory equipped three-prong (grounding) plug and cord. When using the plug and cord, for your protection against shock hazard, it must be plugged directly into a properly grounded three-prong receptacle. **DO NOT CUT OR REMOVE THE PRONG**

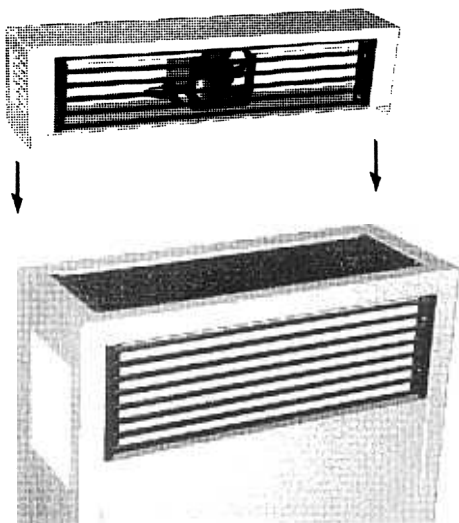
MOUNTING THE BLOWER ACCESSORY TO THE FURNACE

STEP 1 Set the blower on top of the furnace with the rear flange of the blower cabinet behind the furnace cabinet. This will place the back of the blower cabinet against the wall surface. (see illustration below).

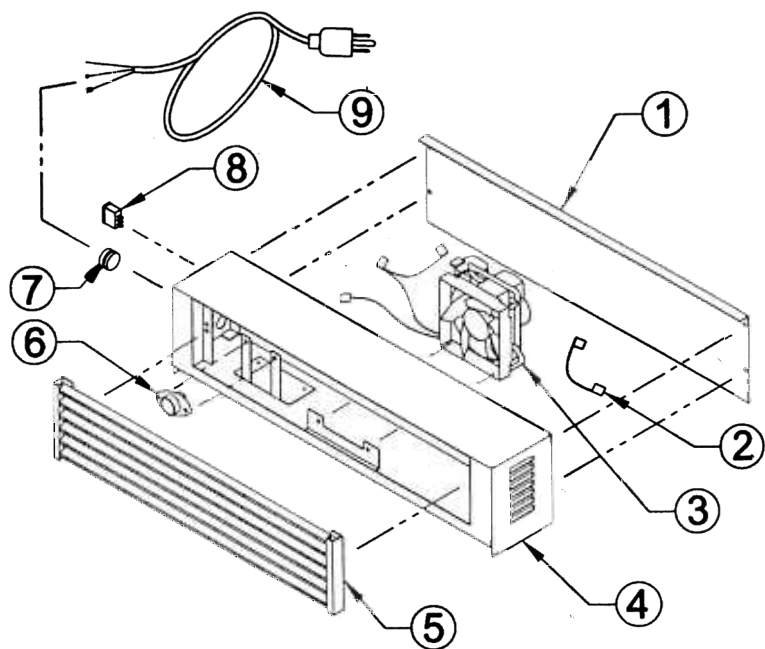
STEP 2 Plug in service cord.

USE THE FAN SWITCH FOR BLOWER SETTINGS:

You must select "ON" for continuous blower operation or "AUTO" for automatic blower operation. If the blower is set on "AUTO" when the furnace heats up, the heat sensor switch is activated and the blower will operate until the furnace cools down, then the blower will turn off. The blower will not operate if the fan switch is set in the "OFF" (center) position.

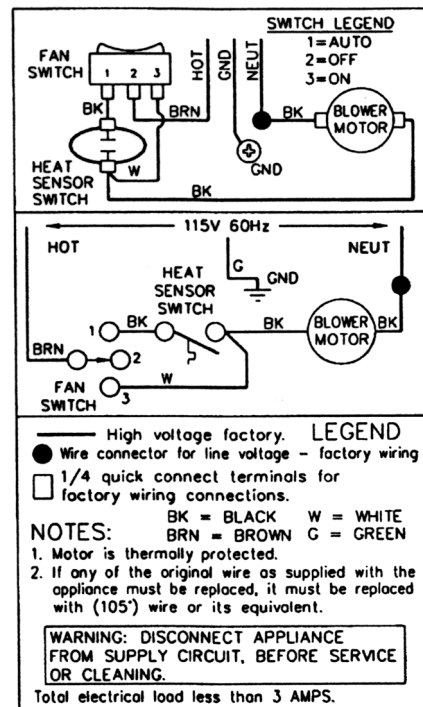


Reference Number	Part Number	Description
1	8A128	Back Plate
2	P101000	Wire
3	8B94	Fan Blower Assembly
4	8B93	Blower Casing Assembly
5	8B90	Louver Assembly
6	P323352	Heat Sensor Switch
7	P500158	Strain Relief
8	P323080	Fan Switch
9	P500156	Cord and Plug



WARNING

**DANGER OF PROPERTY DAMAGE
BODILY INJURY OR DEATH**
UNPLUG SERVICE CORD FROM ELECTRICAL
OUTLET BEFORE REMOVING OR WORKING ON
THIS BLOWER KIT.



NOTE: Refer to your owner's manual for additional information and to be sure this accessory is of the type and design required for use with your furnace.