

# Installation Instructions

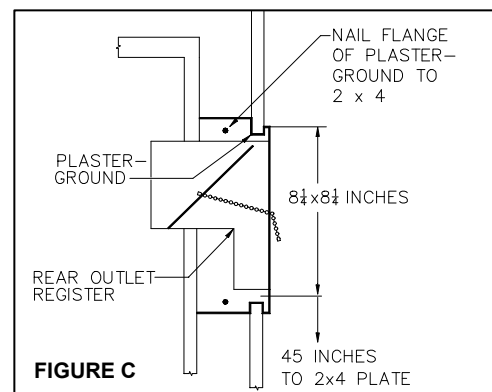
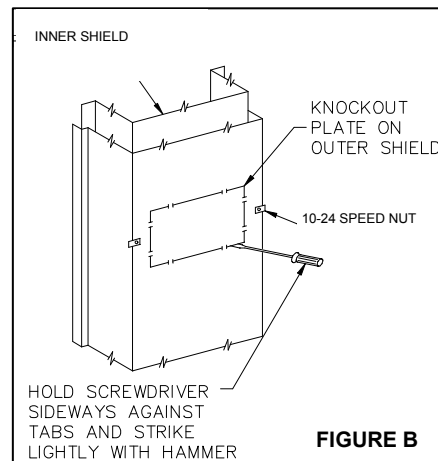
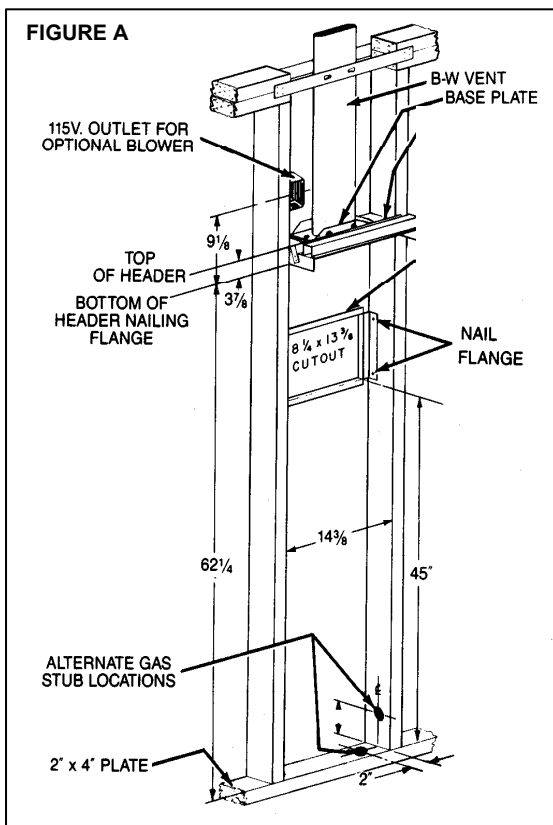
## Rear Outlet Register – Model No. 6901

### KIT CONTENTS:

- |                           |                          |
|---------------------------|--------------------------|
| (1) Rear Outlet Register  | (1) Plasterground        |
| (2) #10-24 Machine Screws | (2) "U" 10-24 Speed Nuts |

The optional Rear Outlet Register is equipped with a chain-operated damper and a register that is mounted flush on a rear wall. The damper adjusts the amount of heat delivered through the Rear Outlet Register. It may be installed only when the furnace is recessed in the wall. Refer to your furnace owner's manual for additional information. Be sure this accessory is of the type and design required for use with your furnace.

1. Install the plasterground according to the dimensions shown in Figure A. In new construction, install the plasterground at the time you install the header plate. For existing construction, make the necessary cutout and install plasterground before you install the furnace.
2. Remove rear knockout plate as follows:
  - A. Punch in lower corners with screwdriver blade.
  - B. Break knockout side and bottom connecting tabs by holding screwdriver blade sideways against the tab and striking it lightly with a hammer.
  - C. Swing plate outward; bend it back and forth to break top tabs.
3. Attach speed nuts to outer shield as shown in Figure B.
4. After furnace is in position, install Rear Outlet Register as shown in Figure C. Place damper in open position when inserting the Rear Outlet Register. Secure Rear Outlet Register to speed nuts with machine screws furnished.



**CAUTION: Do not install this kit where the outlet grille may be blocked or covered by a door, curtains or any other obstruction.**

