

## Motorized Rear Outlet Register 6919 and 6920

### WARNING

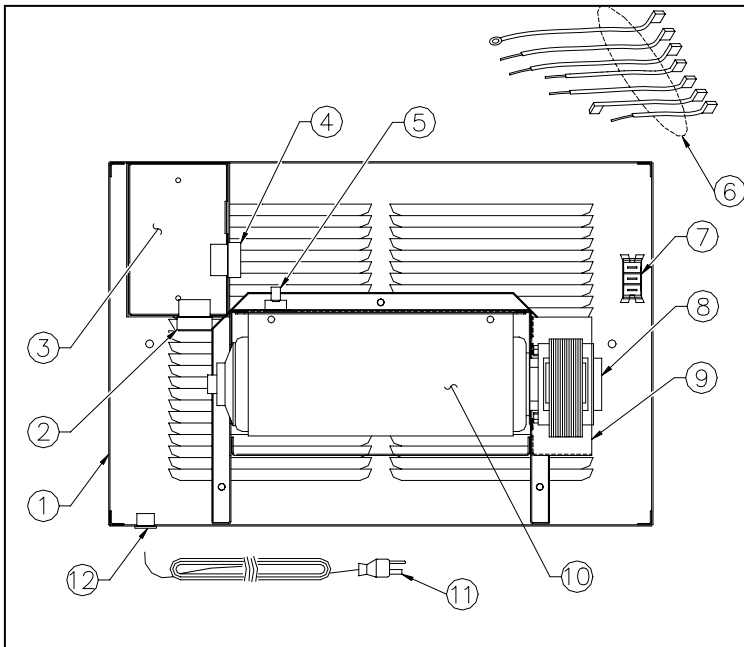
Danger of property damage, bodily injury or death. Turn off all electrical power supply at disconnect switch, fuse box or service panel before removing or working on fan. For your protection against shock hazard, this appliance is equipped with a three-prong (grounding) plug and should be plugged directly into a properly grounded three-prong receptacle. **Do not cut or remove the prong.** All electrical work must conform to your local codes and ordinances or in their absence, with National Electrical Code ANSI/NFPA 70. In Canada, Canadian Electrical Code C22.1. If you are not familiar with the wiring codes in general, have a competent electrician do this job.

This kit directs some of the heated air into the room opposite the one in which the furnace is installed. Read these instructions carefully and familiarize yourself with the installation before you begin. Use gloves to protect your hands from sharp metal edges.

**Blower Settings:** You must select "ON" for continuous blower operation or "AUTO" for automatic setting. If the blower is set on "AUTO" when the furnace heats up, the heat sensor switch is activated and the blower will operate until the furnace cools down, then the blower will turn off. The blower will not operate if fan switch is set in the "OFF" (center) position.

**Location Warning:** This register must be centered between studs and aligned with the furnace for proper engagement. (Figure D). Make sure the furnace is centered on the same studs before you cut any wall openings for the register.

1. Measure and mark wall for opening as shown in Figure A. Check the wall for any electrical wiring present before cutting the opening. Reroute existing electrical if necessary.
2. If recessed mounted installation, place plaster ground in opening and attach to 2x4 studs.
3. An embossed knockout plate is located on the rear of the outer shield and another is located directly behind it on the inner shield. (Figure B). Remove the knockout plates on the furnace by punching in the lower corners with a screwdriver blade. Then, holding screwdriver blade sideways against the side and the bottom connecting tabs, strike the head of the screwdriver lightly with a hammer to break tabs. Swing plates outward and bend it back and forth to break top tabs. Both knockouts must be opened (metal removed) in order to attach the register assembly properly. If the inner shield knockout is not embossed deep enough to be removed easily, mark an outline using the existing opening as a guide. Use tin snips to cut the area away. A pilot hole may be needed to begin the first cut. Take care not to damage the combustion chamber directly behind the inner shield when making a pilot hole.
4. Attach speed nuts to outer shield. (Figure B). After the furnace is in position, insert register into the opening as shown in Figure A. Install machine screws through register housing and into the speed nut clips on the furnace outer shield. Do not over tighten the screws.
5. After the register has been plugged in, set the fan switch to the desired blower operation.



| Replacement Parts List<br>6919 and 6920 |          |         |                          |
|---|----------|---------|--------------------------|
| Ref. No.                                | Part No. |         | Description              |
|   | 6919     | 6920    |                          |
| 1                                       | 9B269    | 9B285   | Register Assembly        |
| 2                                       | P500185  | P500185 | Strain Relief Bushing    |
| 3                                       | 9A427    | 9A427   | J-Box Cover              |
| 4                                       | P603108  | P603108 | Strain Relief Bushing    |
| 5                                       | P323079  | P323079 | Heat Sensor Switch       |
| 6                                       | 9B270    | 9B270   | Internal Wiring          |
| 7                                       | P323080  | P323080 | Fan Switch               |
| 8                                       | P323076  | P323076 | Motor and Blower         |
| 9                                       | 9A432    | 9A462   | Motor Cover              |
| 10                                      | 9B266    | 9B284   | Motor Housing Back Plate |
| 11                                      | P323081  | P323081 | Cord and Plug            |
| 12                                      | P323084  | P323084 | Bushing                  |

Use only manufacturer's authorized parts.  
Note: Screws, bolts and washers are standard hardware items and may be purchased locally.

**CAUTION: Do not install this kit where outlet grille may be blocked or covered by a door, curtains or any other obstructions.**

## Motorized Rear Outlet Register 6919 and 6920

