

# Installation Instructions

## Vent Enclosure

### Model Nos. 9812, 9824, 9836, 9907, 9908, 9909

#### KIT CONTENTS:

Vent Enclosure Front  
Vent Enclosure Side (2)  
Screws (10)

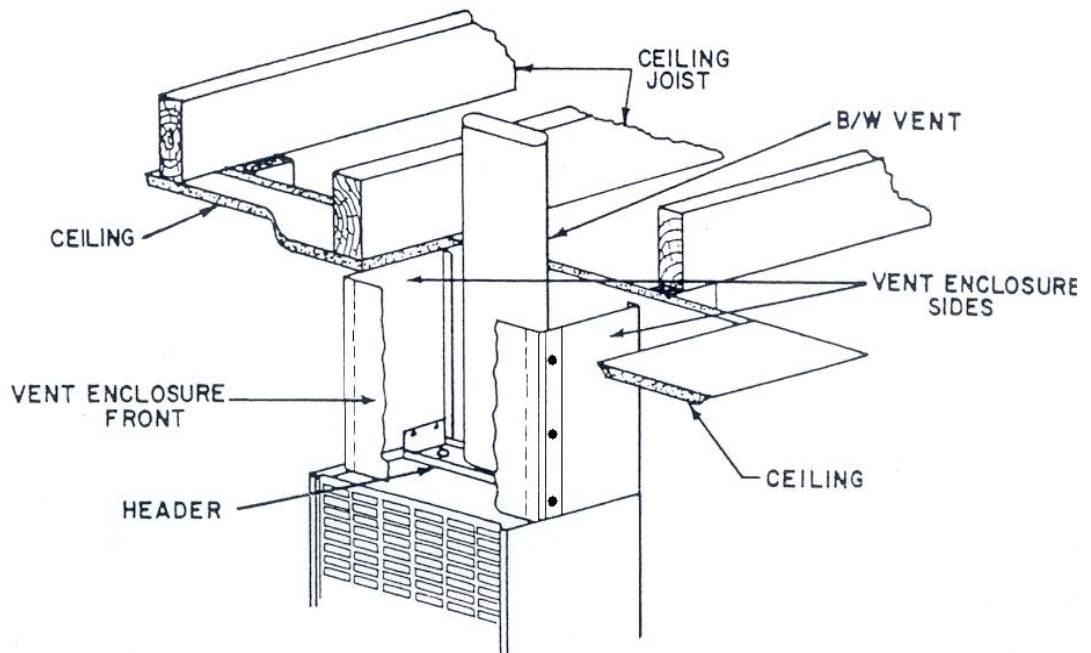
The Vent Enclosure Kit provides an enclosure to cover exposed venting from the top of the furnace to the ceiling. Assorted lengths are available:

<u>Model No.</u>	<u>Length</u>
9812, 9907	12"
9908	18"
9824	24"
9836, 9909	36"

Refer to your owner's manual to install furnace, vent pipe and electric connections. Be sure this accessory is of the type and design required for use with your furnace.

1. Install furnace, vent pipe and optional electrical connections (if optional blower kit is used) per local codes and in accordance with the installation instructions packed with the furnace.
2. Measure the distance from the top of the furnace to the ceiling. If necessary, trim the enclosure sides and front to ensure a proper fit between the top of the furnace and the ceiling.
3. Fasten vent enclosure sides to wall using the (4) screws provided. Ensure that side enclosures are positioned on the inside top of unit.
4. Fasten vent enclosure front onto sides using (6) screws provided.

An optional accessory, Trim Strip Kit 4701, metal strips, painted with durable soft-white powder paint, provides a trimmed look to your installation.



© Williams Furnace Co.  
250 West Laurel Street  
Colton, California 92324  
www.wfc-fc.com

Subject to change without notice.  
Printed in USA – All Rights Reserved  
P320996,10/05