

INSTALLATION INSTRUCTIONS

VENT EXTENSION KITS

FOR USE WITH GRAVITY DIRECT VENT WALL FURNACES

THESE INSTRUCTIONS COVER INSTALLATION OF THE FOLLOWING KITS ONLY:

- Vent Extension **9304** (9-15 IN)
- Vent Extension **9301** (9-15 IN)
- Vent Extension **9302** (15-24 IN)
- Vent Extension **9303** (15-24 IN)

CAUTION: Refer to your OWNERS MANUAL and furnace RATING PLATE to be sure that this Vent Extension kit (listed above) is of the type and design required for use with your furnace model.

- STEP 1** Refer to your OWNERS MANUAL and perform the installation steps 'Find the Studs', 'Cut Vent Opening' and 'Install Spacer Plate'.
- STEP 2** Measure thru 9 inch diameter hole to determine 'X' dimension. (Note: 'X' dim. is the wall thickness)
- STEP 3** Calculate the proper tube lengths from the appropriate model group below as follows:

		DIM.	
<u>MODEL</u> - 9304	Flue Tube Extension	A	- add 2 inches to 'X' dim.
	Air Inlet Tube	B	- add 1-1/16 inches to 'X' dim.
	Air Inlet Shield	C	- add 7/8 inch to 'X' dim.
<u>MODELS</u> - 9301 9302 9303	Flue Tube Extension	A	- add 2 inches to 'X' dim.
	Air Inlet Tube	B	- add 3/4 inch to 'X' dim.
	Air Inlet Shield	C	- add 9/16 inch to 'X' dim.

- STEP 4** Measure and cut tubes to calculated lengths. Note: Do not cut wrong ends of tubes - See Fig. 1, cutlines and flanges.
- STEP 5** Remove Air Inlet Tube and Flue Extension Tube from furnace and replace them with trimmed tubes from your kit, using the same screws.
- STEP 6** Refer to your OWNERS MANUAL and perform the next step, 'Furnace Mounting'.
- STEP 7** Refer to Fig. 5 page 8 in your Owners Manual and to Fig. 1 this sheet. From outside, push Air Inlet Shield 'J' over Air Inlet Tube 'C'. Rotate Air Inlet Shield until notches on end of Shield are straddling the standoff tabs on Mounting Spacer Plate 'A'. Push Air Inlet Shield until notched end is resting against screw heads holding Air Inlet Tube to furnace. Tube ends should now be flush with outside wall. If not, recheck for proper tube positions. Adjust or retrim tubes if necessary.

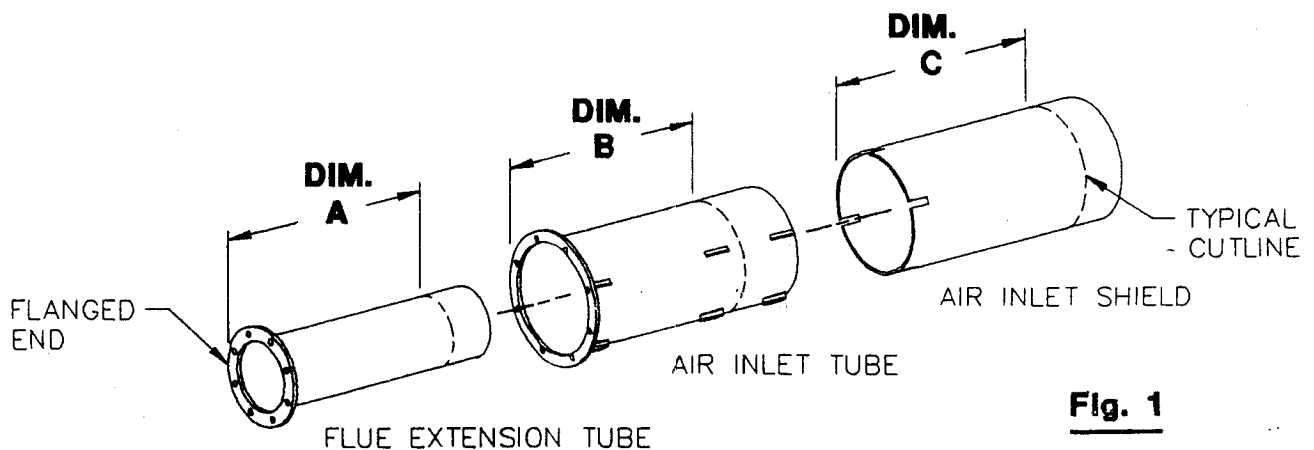


Fig. 1